

# CIRCEO

CE 0049



## PANIC-DEVICE SYSTEM

TESTED TO THE LATEST EUROPEAN STANDARDS  
AND CE MARKED

**STRONG:** mounted onto steel counterplates

**PRACTICAL:** non-handed and simple assembly procedure

**UNIVERSAL:** suits transom or jamb application on a wide range  
of profiles and materials



**ZUIGISAVIO**

**CONFORMS TO THE LATEST EUROPEAN STANDARDS AND CE MARKED:**



According to the publication of GUCE (European community official gazette) C 40/3 dated 14/02/2002, the product has been tested in conformity with the standard EN 1125:97/A:2001 from AFNOR, the French Certification Institute, that authorizes to the use of CE mark at European level. Its identification number is 0049.

Tests have been executed by the prestigious Institute Cetim from S.Etienne (France)

Products listed on the above certificate guarantee a great number of opening and closing cycles (200.000 cycles) permitting a classification of frequent use.

This data combined with other important elements that allows these products to be given a performance value, are listed below:



The different performance levels are:  
(CIRCEO LUIGISAVIO levels are identified with bold outline)

**Category of use:**

Grade 3 = high frequency for public use

**Durability:**

Grade 6 = 100.000 opening and closing cycles

Grade 7 = 200.000 opening and closing cycles

**Max. door weight:**

Grade 5 = up to 100 Kg.

Grade 6 = up to 200 Kg.

**Suitability for use on fire/smoke doors:**

Grade 0 = not approved

Grade 1 = approved

**Safety:**

Grade 1 = the product is secure

**Corrosion resistance:**

Grade 3 = high resistance (96 ore in nebbia salina)

Grade 4 = very high resistance (240 ore in nebbia salina)

**Security**

Grade 2 = it guarantees a high level of anti-burglar security without compromising the function of the anti-panic device

**Projection of bar:**

Category 1 = projection up to 150 mm.

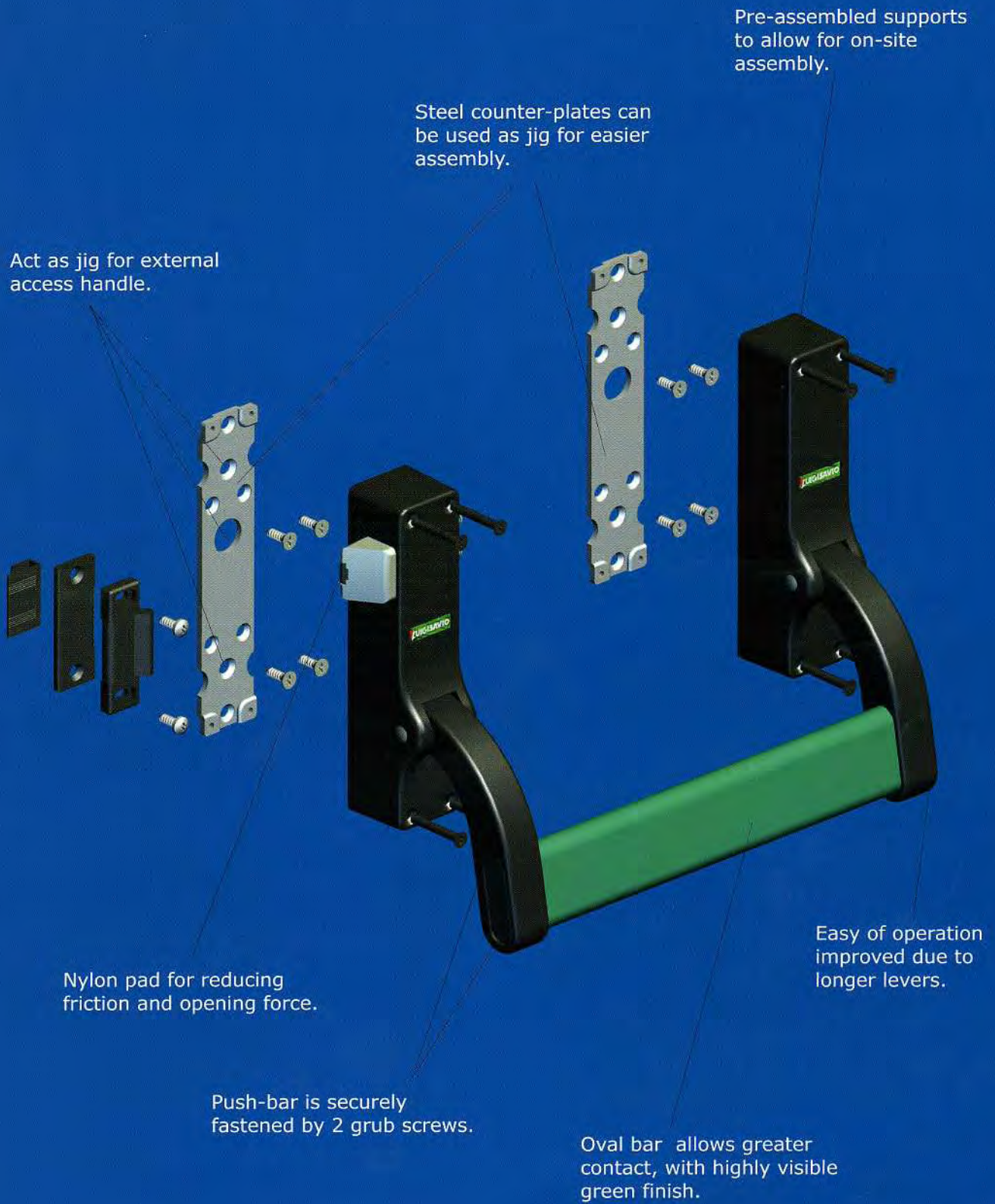
Category 2 = projection up to 100 mm.

**Type of bar application:**

type A = panic exit device with "push-bar" operation

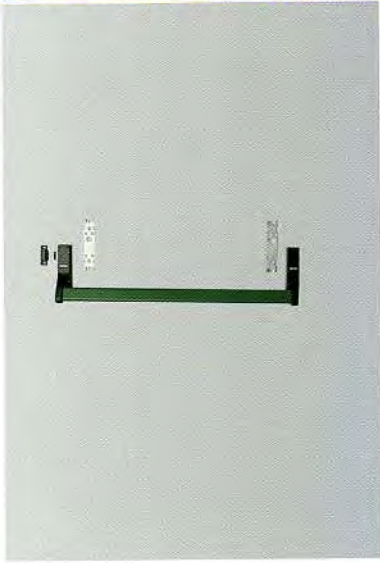
type B = panic exit device with "touch-bar" operation

## CIRCEO : panic-device system



## Codes

### CIRCEO Panic-device system



Art.	Description	Pcs.
<b>KH</b>	(Patented) Non-handed horizontal tubular panic device in die-cast aluminium, zamak and steel, 2 screws TC Ø 4,2x13, 8 screws TS Ø 4,2x13, 8 screws TS M4x30 in galvanized steel. Complete with green bar 1180 mm and galvanized steel fixing counterplates. Max width of doors 1240 mm.	1



Art.	Description	Pcs.
<b>KH.2</b>	(patented) Non-handed vertical tubular panic device in die-cast aluminium, zamak, steel and bronze, 2 screws TS M4x8, 2 screws TC Ø 4,2x13, 12 screws TS Ø4,2x13, 4 screws TS Ø 4,2x38, 8 screws TS M4x30 in galvanized steel. Complete with green bar 1180 mm, black painted upper rod 1250 mm, black painted lower rod 900 mm and galvanized steel fixing counterplates. Max width of doors 1240 mm and max height 2400 mm.	1



Art.	Description	Pcs.
<b>KH.3</b>	(patented) Non-handed vertical tubular panic device with lateral closing, in die-cast aluminium, zamak and steel, 4 screws TC Ø 4,2x13, 16 screws TS Ø 4,2x13, 16 screws TS M4x30 in galvanized steel Complete with green bar 1180 mm, black painted upper rod 1250 mm, black painted lower rod 900 mm and galvanized steel fixing counterplates. Max width of doors 1240 mm and max height 2400 mm.	1

## Codes

### External controls for CIRCEO panic-device system



Art.	Description	Pcs.
<b>KH.AA</b>	Non-handed external access handle. Support and handle in black polished zamak, square spindle and crinkle washer in galvanized steel, 2 spacers and screw cup in black nylon, 1 screw TCEI M6x16 and 2 screws TS M5x70 in galvanized steel.	1



Art.	Description	Pcs.
<b>KH.BB</b>	Non-handed external access handle with safety cylinder. Support and handle in black polished zamak, brass cylinder with <b>3 nickel-plated keys</b> , square spindle and crinkle washer in galvanized steel, 2 spacers and screw cup in black nylon, 1 screw TCEI M6x16 and 2 screws TS M5x70 in galvanized steel.	1
<b>KH.BBU</b>	Non-handed external access handle with safety cylinder. Support and handle in black polished zamak, brass cylinder with <b>3 keys (same code)</b> , square spindle and crinkle washer in galvanized steel, 2 spacers and screw cup in black nylon, 1 screw TCEI M6x16 and 2 screws TS M5x70 in galvanized steel.	1



Art.	Description	Pcs.
<b>KH.E</b>	Non-handed external access handle with safety cylinder. Support and handle in black polished zamak, brass cylinder with 3 nickel-plated keys, square spindle and crinkle washer in galvanized steel, 2 spacers and screw cup in black nylon, 1 screw TCEI M6x16 and 2 screws TS M5x70 in galvanized steel.	1

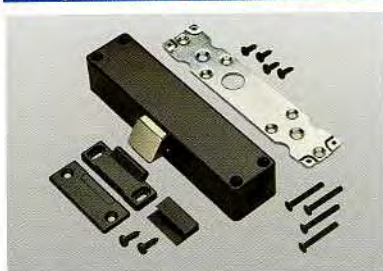


Art.	Description	Pcs.
<b>KH.C</b>	Non-handed external access handle with european-shaped safety cylinder. Support and handle in black polished zamak, brass cylinder with <b>3 nickel-plated keys</b> , square spindle and crinkle washer in galvanized steel, 2 spacers and screw cup in black nylon, 1 screw TCEI M6x16 and 2 screws TS M5x70 in galvanized steel.	1
<b>KH.CU</b>	Non-handed external access handle with european-shaped safety cylinder. Support and handle in black polished zamak, brass cylinder with <b>3 keys (same code)</b> , square spindle and crinkle washer in galvanized steel, 2 spacers and screw cup in black nylon, 1 screw TCEI M6x16 and 2 screws TS M5x70 in galvanized steel.	1



Art.	Description	Pcs.
<b>KH.CS</b>	Non-handed external access handle. Support and handle in black polished zamak, square spindle and crinkle washer in galvanized steel, 2 spacers and screw cup in black nylon, 1 screw TCEI M6x16 and 2 screws TS M5x70 in galvanized steel.	1

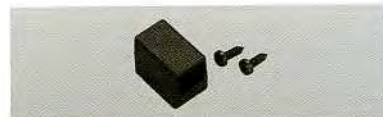
**Complementary accessories for CIRCEO panic-device system**



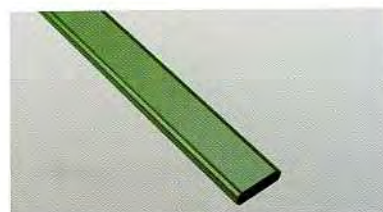
Art.	Description	Pcs.
<b>KH.F</b>	Non-handed third locking point, support in black polished aluminium, latch in nickel-plated zamak and pre-assembled self-lubricating plastic pad, fixing counterplate in galvanized steel, 2 keepers in black polished zamak, nylon cover ledge, 2 screws TC Ø 4,2x13, 4 screws TS Ø 4,2x13, 4 viti TS M4x30 in black galvanized steel.	1



Art.	Description	Pcs.
<b>KH.G</b>	Electrical keeper for art. KH in black polished aluminium; base and 4 screws in galvanized steel, spacer in black nylon. Electrical feed: 12 V - 15 W.	1



Art.	Description	Pcs.
<b>KH.P *</b>	Nylon through-guide for vertical rods, 2 screws TC Ø 4,2x13 in black galvanized steel.	1



Art.	Description	Pcs.
<b>KH.R *</b>	Horizontal bar (1500 mm) in powder-coated steel (max width of doors 1560 mm).	1



Art.	Description	Pcs.
<b>KH.T *</b>	Intermediate support in zamak, die-cast metal and galvanized steel, 4 screws TS Ø 4,2x13 and 4 screws TS M4x30 in black galvanized steel.	1



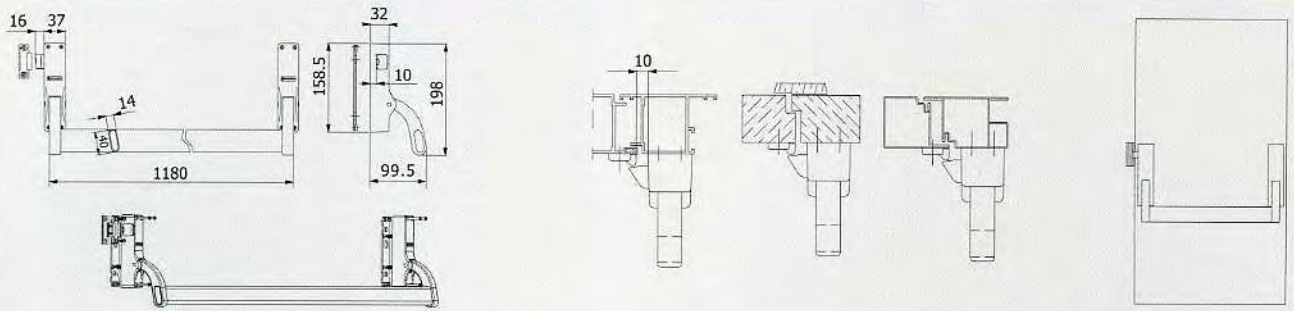
Art.	Description	Pcs.
<b>KH.TS</b>	Main support for art. KH, but without counterplate, 4 screws TS M4x30 in black galvanized steel.	1



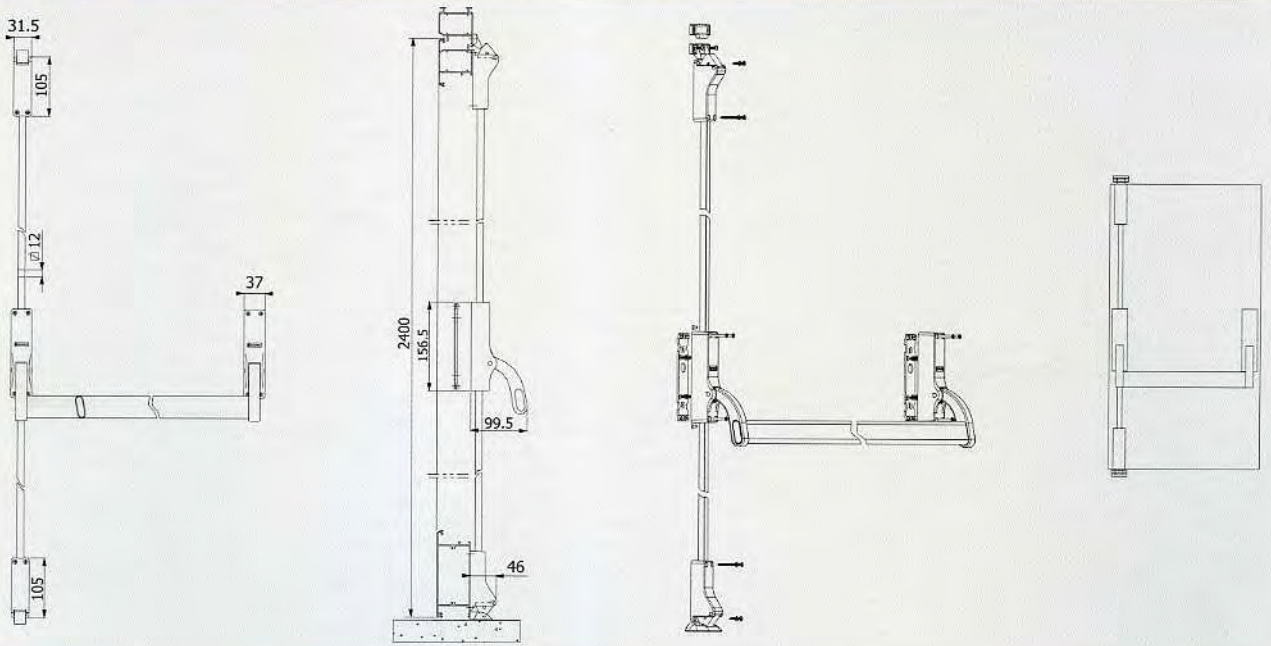
Art.	Description	Pcs.
<b>KH.U *</b>	Vertical bar (2000 mm) in polished steel (max height of doors 3100 mm).	1

# Panic-device system CIRCEO

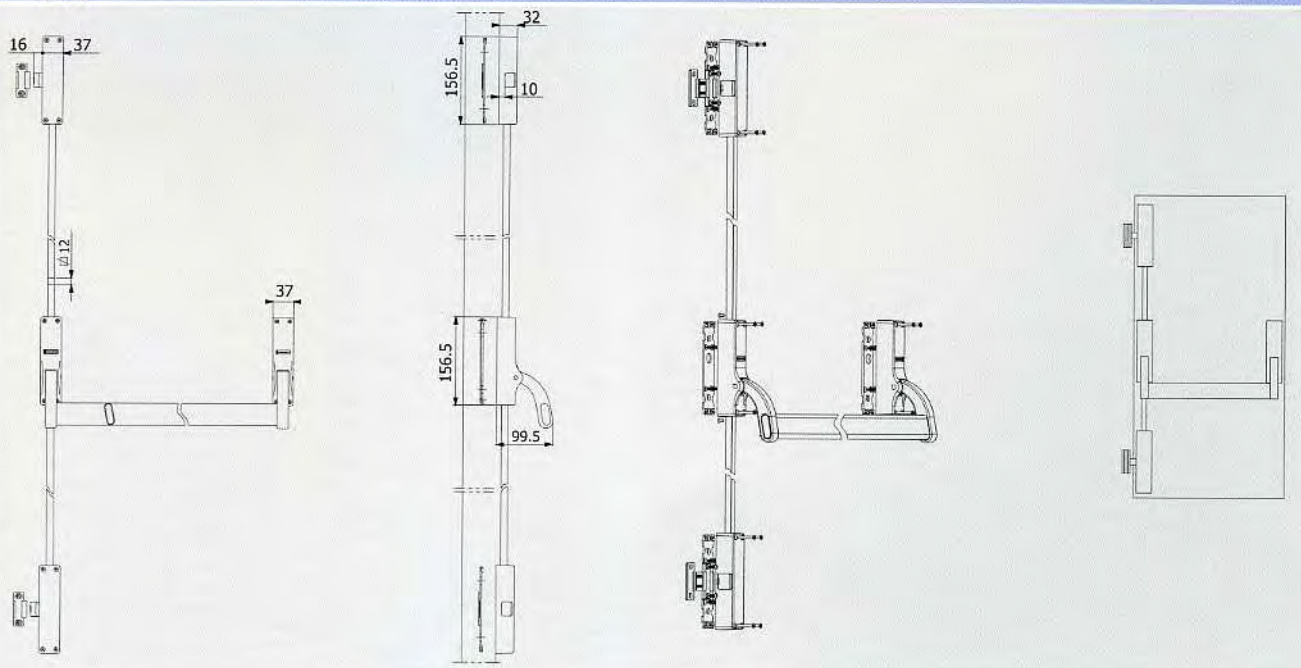
**KH**



**KH.2**



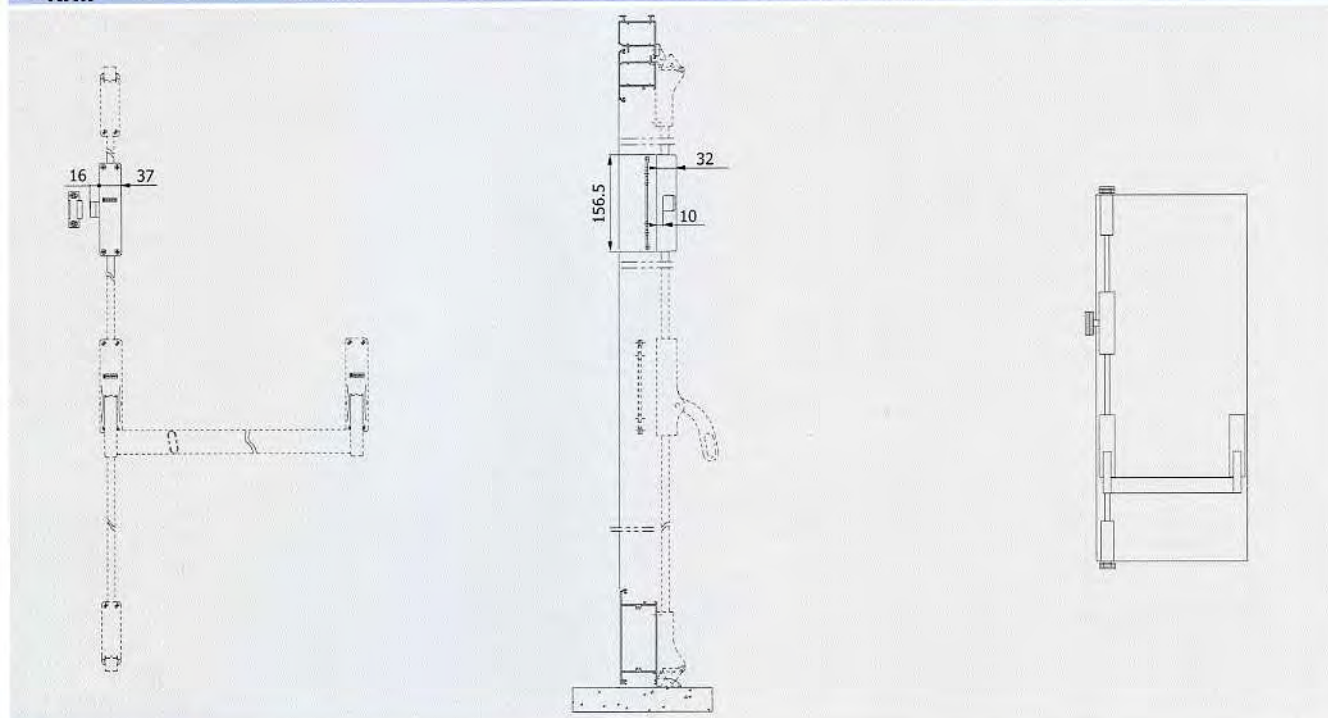
**KH.3**



# Panic-device system CIRCEO

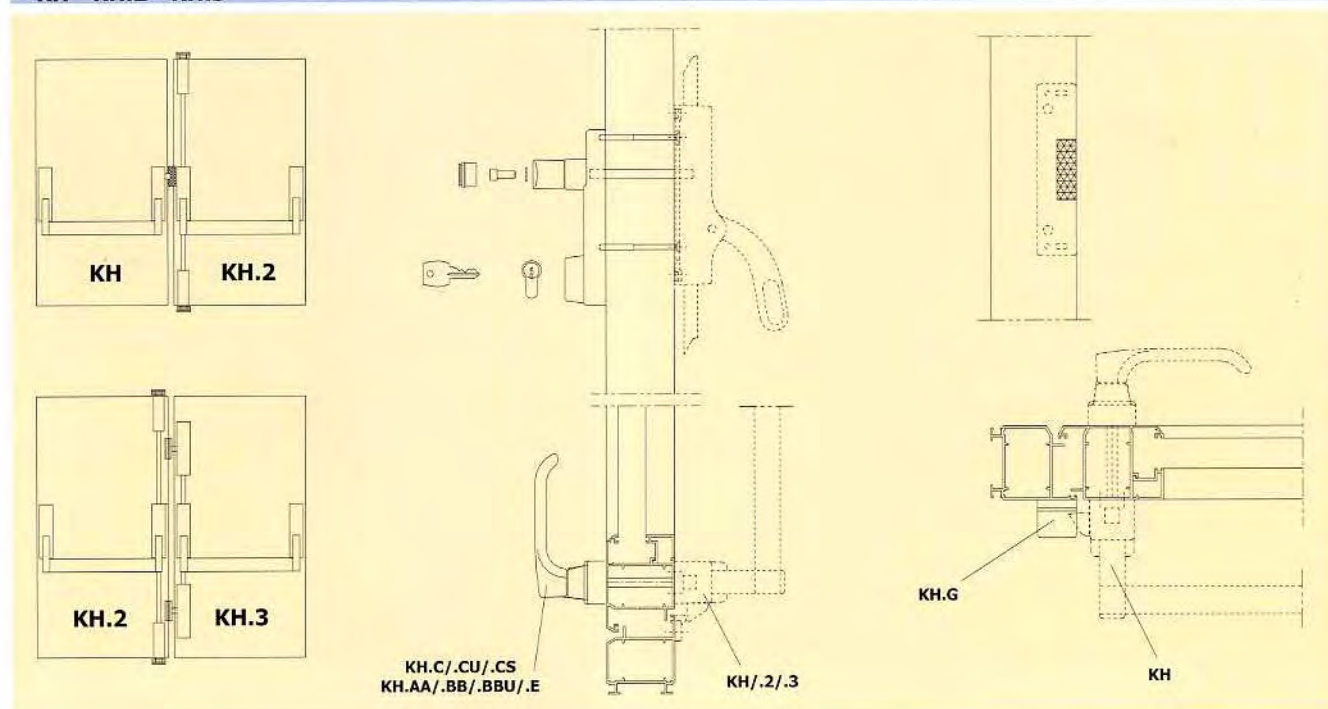
## Technical drawings

KH.F



## Applications

KH - KH.2 - KH.3



SAVIO S.p.A. Via Torino, 25 (S.S. 25)  
10050 Chiusa S. Michele (TO) Italy  
Tel. +39.11.964.34.64 - Fax +39.11.964.34.74  
www.savio.it - e-mail: savio@savio.it

# 1 ZUIGISAVIO

*Quality and innovation  
for closing systems*