

MANON HANDLES

Pininfarina Design
Entirely made of nylon or die-cast metal
Non-handed with pre-assembled spring
Version with flat handle

GB 11/2004

AV SAVIO
by
pininfarina

Fine design and excellent manoeuvring

P I N I N F A R I N A D E S I G N

Having the same design of the entire line of MANON , it permits the aesthetical combination with MANON handle for windows and MANON snap latches.

P R E - A S S E M B L E D A N D N O N - H A N D E D S P R I N G

The spring made of harmonic steel is non-handed and pre-assembled to permit a quicker fixing of handles without preparing operations.

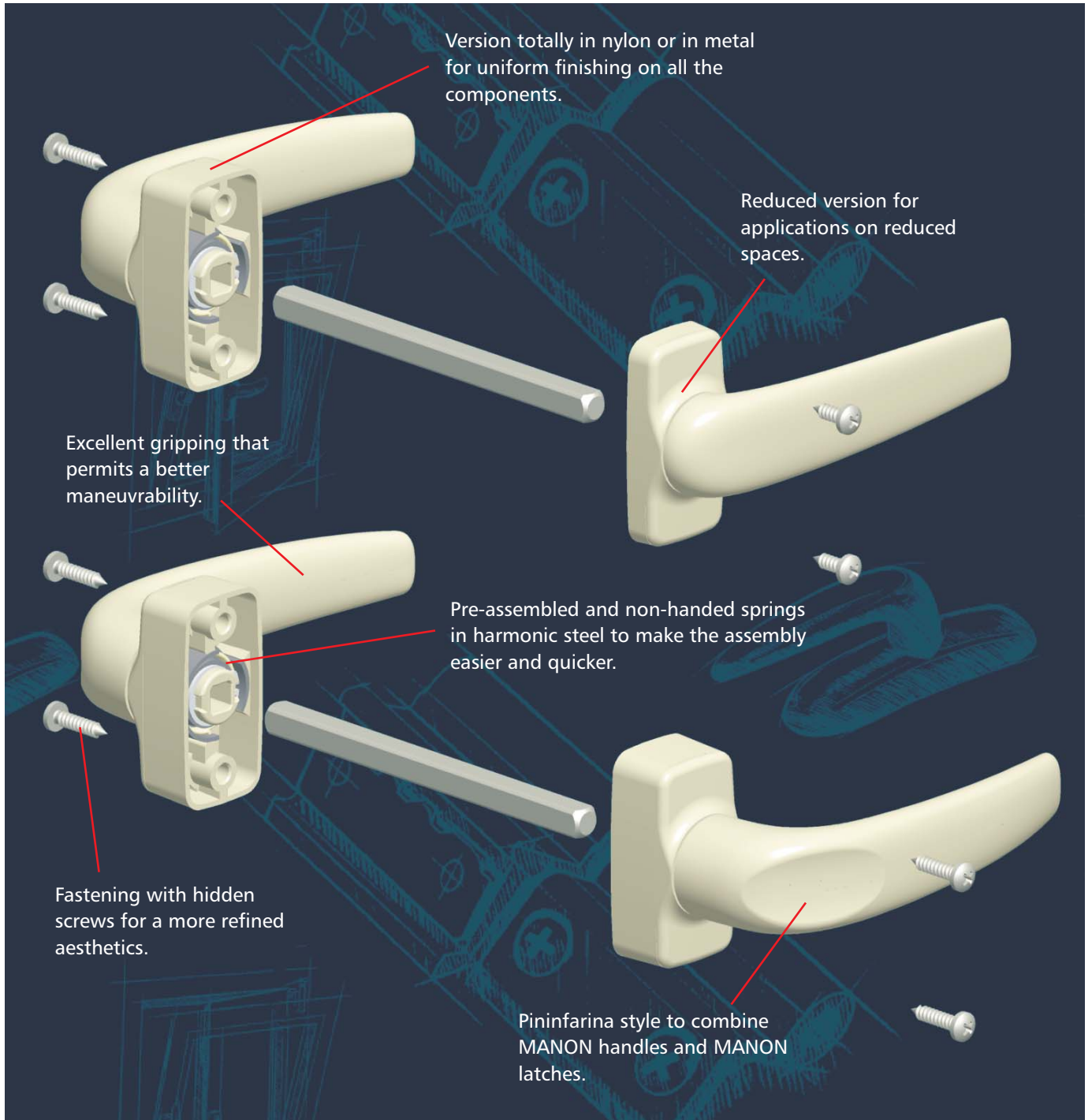
V E R S I O N E N T I R E L Y I N N Y L O N O R D I E - C A S T M E T A L

The version entirely metallic permits to paint the handle on all its parts, guaranteeing in this way a uniform finishing.

Available also the PVD H and PVD X treated versions.

Nylon version is available in white, ivory and black colour.

New MANON handles



MANON: handles for doors



Art.	Description	Pcs.	Finishes
874.30	(patented) Non-handed double door handle in nylon, with pre-assembled return spring, 8x120 mm square spindle and 4 cap screws Ø 4,2x19 in galvanized steel.	10	.74, .75, .78
874.31	(patented) Non-handed double door handle in die-cast metal, with pre-assembled return spring, 8x120 square spindle and 4 cap screws Ø 4,2x19 in galvanized steel.	10	C, 1013, 1015, 8019, 9005, 9006, 9010, 9660, B.SA, BL10, BR4
	NEW!	4	PVD H, PVD X



Art.	Description	Pcs.	Finishes
874.32	(patented) Non-handed single handle with pre-assembled return spring and flat handle in die-cast metal, 8x120 mm square spindle, 2 cap screws Ø 4,2x19 and 2 cap screws Ø 4,2x13 in galvanized steel.	4	C, 1013, 1015, 8019, 9005, 9006, 9010, 9660, B.SA, BL10, BR4
	NEW!		



Art.	Description	Pcs.	Finishes
874.804	Escutcheon in die-cast metal for shaped cylinder, 2 cap screws Ø 3,5x13 in galvanized steel.	4	1013, 1015, 8019, 9005, 9006, 9010, 9660, B.SA, BL10, BR4, PVD H, PVD X
	NEW!		



Art.	Description	Pcs.	Finishes
874.801	Nylon escutcheon for shaped cylinder, 2 cap screws Ø 3,5x13 in galvanized steel.	100	nero, /A, /B, .91
874.802	Like 874.801 but for oval cylinder.	100	nero, /A, /B, .91
874.803	Like 874.801 for patent-type keys.	100	nero, /A, /B, .91

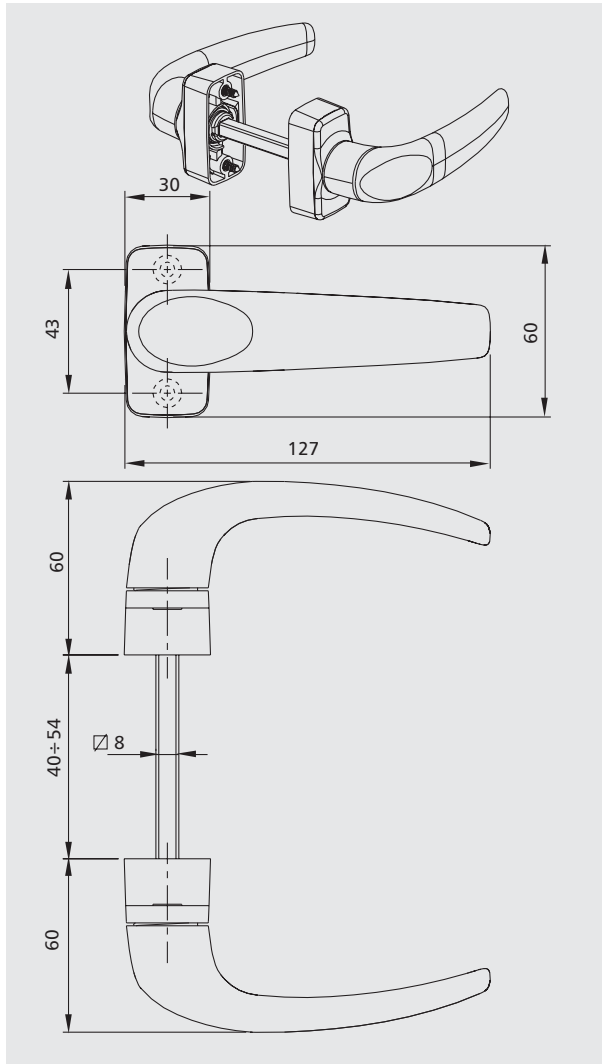
Art.	Description	Pcs.	Finishes
874.899	Square spindle 8x140 mm in galvanized steel for door with thickness higher than 55 mm.	50	

Finishes table

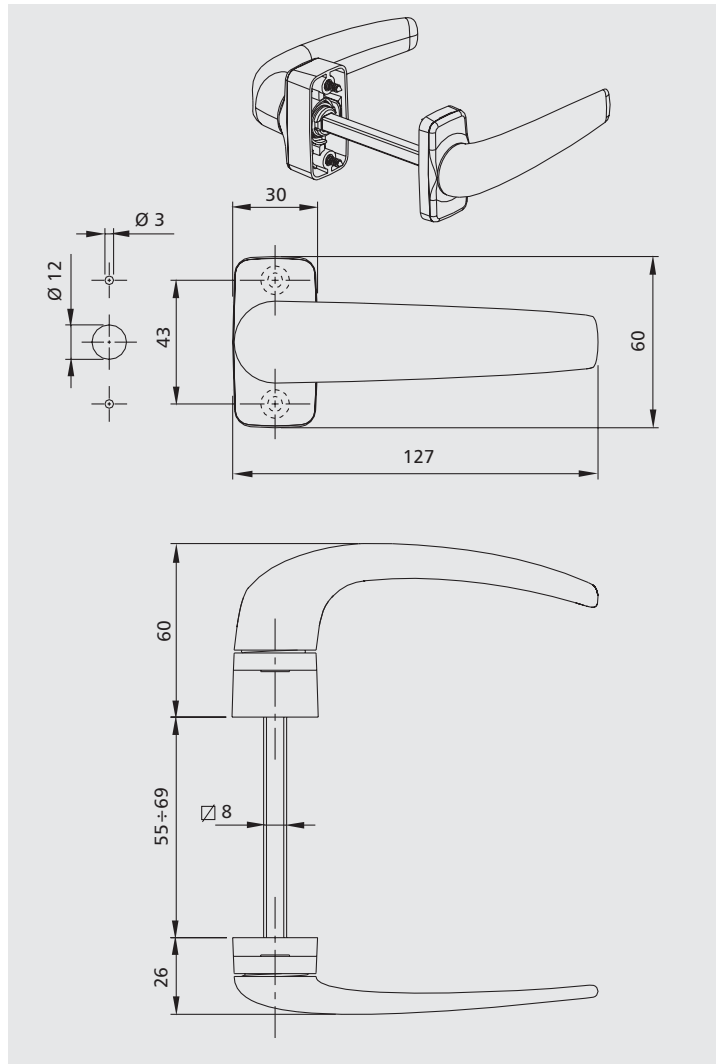
1013 = ivory RAL powder coated	9660 = silver powder coated	PVD X = satin steel PVD treated
1015 = dark ivory RAL powder coated	C = mill finished	/A = ivory
8019 = coffee RAL powder coated	BL10 = matte black power coated	/B = white
9005 = black RAL powder coated	B.SA = satin-finished white RAL power coated	.91 = galvanized gold
9006 = silver RAL liquid varnish	BR4 = dark bronze powder coated	
9010 = white RAL powder coated	PVD H = bright gold PVD treated	

MANON new handles

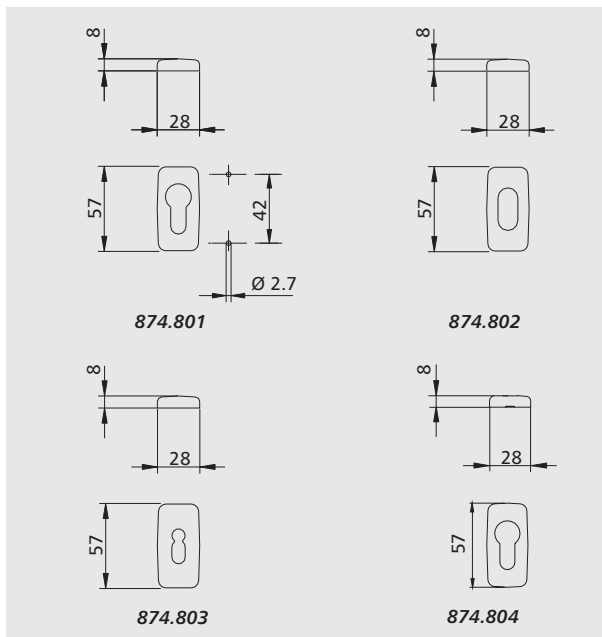
874.30 - 874.31



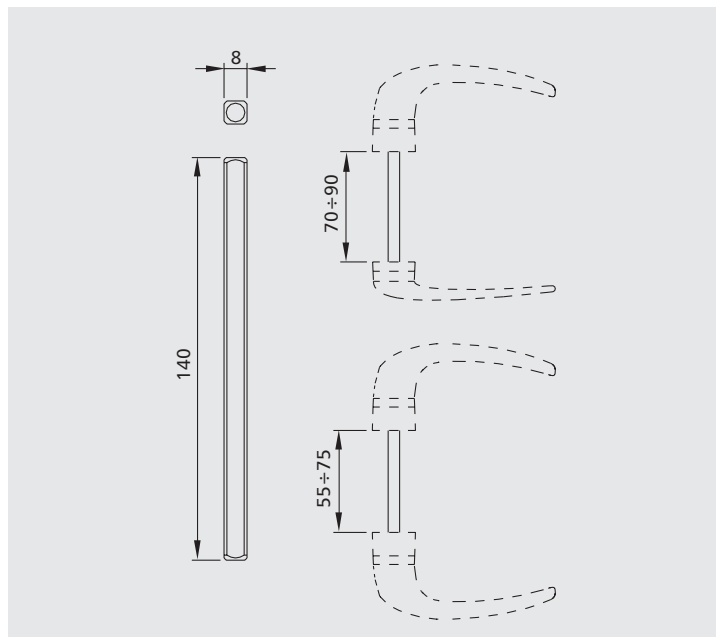
874.32



874.801 - 874.802 - 874.803 - 874.804



874.899



Suitability table for italian profiles

Extruder	Profile	874.30/31/32	874.804	874.899
AL SYSTEM	GLOBAL 48	•	•	
	GLOBAL 48 Porte	•	•	
	GLOBAL 70 TT	•		•
ALCAN	CRISTAL Porte	•	•	•
	EURO KEEPER 46/53	•	•	
	EURO KEEPER Porte	•	•	
	GREEN 45 sorm.	•	•	
	GREEN 45/52 SP.	•	•	
	GREEN Porte	•	•	
	KEEPER 53/60	•	•	•
	KEEPER 53/60 Porte	•	•	•
	KEEPER 53/60 ragg.	•	•	•
	KEEPER 61/68	•	•	•
	KEEPER 61/68 Porte	•	•	•
	OPEN Porte	•	•	
	POINT sorm.	•	•	
ALCOA	R 35	•	•	
	R 40	•	•	
	R 50	•	•	
	R 50 TT	•	•	
	R 50 TT barra cont.	•	•	•
	R 60 TT	•	•	•
	WIN54 Porte	•	•	
	WIN54TT Porte	•	•	
	WIN62 Porte	•	•	
	WIN62TT Porte	•	•	
	WIN70TT Porte	•	•	•
ALEXIA	ESEDRA DOORS 56	•	•	•
	ESEDRA GA 53	•	•	
	ESEDRA TT 63	•	•	•
	ESEDRA TT 75	•	•	•
ALL.CO	ALL.CO 5 compl.	•	•	
	ALL.CO 5 Porte	•	•	
	ALL.CO 5 sorm.	•	•	
	ALL.CO 5 TT compl.	•	•	
	ALL.CO 5 TT Porte	•	•	
	ALL.CO 5 TT sorm.	•	•	
	ALL.CO P 4 compl.	•	•	
	ALL.CO P 4 sorm.	•	•	
	EXPORT 40	•	•	
	EXPORT 45	•	•	
	EXPORT 45 Raggiato	•	•	
	EXPORT 45 TT	•	•	
	EXPORT 45 TT Ragg.	•	•	
	EXPORT 50 Porte	•	•	
	EXPORT 50 TT	•	•	•
	EXPORT 50 TT Porte	•	•	
	K 40	•	•	
	K 40 Ragg.	•	•	
	K 45T	•	•	
	K 64T	•	•	•
	K 70T	•	•	•
	NEW AGE	•	•	
SICURBLIND 65 compl.	•	•	•	
SICURBLIND 65 sorm.	•	•	•	
ALUMEC	SYNTESIS 57	•	•	•
	SYNTESIS 57 Porte	•	•	•
	SYNTESIS 60 TT Porte	•	•	•
	SYNTESIS 60TT	•	•	•
ASTE INTERNE	FB 12	•	•	
	GR 9	•	•	
	NC 40	•	•	
	NC 50	•	•	
BODEGA	BGA 50	•	•	
	BGA 50 Arrotondato	•	•	
	BGA 50 Porte	•	•	
	BGA 50 Ragg.	•	•	
	BT 60 TT	•	•	•
	EXTRABLIND 70 Porte	•	•	•

Extruder	Profile	874.30/31/32	874.804	874.899
CLL	TECNO 50	●	●	
	TECNO 50 Porte	●	●	
FINAL	EXPORT 45	●	●	
	EXPORT 45 Raggiato	●	●	
	EXPORT 45 T	●	●	
	EXPORT 45 T Ragg.	●	●	
	EXPORT 50 T	●	●	●
HYDRO	BREAK PA 52	●	●	●
	BREAK PA 52 Porte	●	●	●
	BREAK PA 52 Ragg.	●	●	●
	BREAK PA 62	●	●	●
	BREAK PA 63	●	●	●
	BREAK PA 63 Porte	●	●	●
	BREAK PA 70	●	●	●
	BREAK PA 70 Porte	●	●	●
	BREAK PA 70 S	●	●	●
	BREAK PA 70S Porte	●	●	●
	DOMAL 40	●	●	
	DOMAL INDOOR	●	●	
	DOMAL SECURITY	●	●	●
	DOMAL SHOPS	●	●	●
	DOMAL TWIN	●	●	
STOPPER PG	●	●		
STOPPER PG Porte	●	●		
IND.INVEST	ALPHA 255	●	●	●
	ALPHA 365 TT	●	●	●
	ALPHA 445	●	●	
	ALPHA 445 Porte	●	●	
	ALPHA 658 TT	●	●	●
	ALPHA BLITZ	●	●	●
	ALPHA BLITZ 2000	●	●	●
	GOLD 400	●	●	
	GOLD 450	●	●	
	GOLD 490	●	●	●
	GOLD 500	●	●	●
	GOLD 500 PORTE	●	●	●
	GOLD 500 ragg.	●	●	●
	GOLD 600	●	●	●
GOLD 600 PORTE	●	●	●	
METRA	N. NC 40 compl.	●	●	
	N. NC 40 sorm.	●	●	
	NC 45 INT.	●	●	
	NC 45 INT. PORTE	●	●	
	NC 45 STH	●	●	
	NC 45 STH PORTE	●	●	
	NC 50 I	●	●	●
	NC 55 INT. PORTE	●	●	●
	NC 58 MEDITERRANEO	●	●	●
	NC 65 STH	●	●	●
	NC 65 STH PORTE	●	●	●
	NC 68 STH	●	●	●
NC 68 STH PORTE	●	●	●	
NC 72 STH	●	●	●	
NC 72 STH PORTE	●	●	●	
MEXALL	MX 50	●	●	●
	MX 70	●	●	●
MORELLI	MA 2000 TT	●	●	
	MA 2000 TT PORTE	●	●	
	MA 9600	●	●	
	MA 9800	●	●	
	MA 9900	●	●	●
OCMA	FC 47 compl.	●	●	
	FC 55 BICOLORE	●	●	●
	FC 55 MONTECARLO	●	●	●
	FC 55 RESTAURO	●	●	●
	FC 70 HERCULES	●	●	●
	FC TT 60 POLO	●	●	●
	SV 39	●	●	●
	SV 47 VETRINE	●	●	●
	SV 47/55	●	●	●
	SV 62 VETRINE	●	●	●
	SV TT55	●	●	●
	SV TT62 VETRINE	●	●	●
SV TT70	●	●	●	

Extruder	Profile	874.30/31/32	874.804	874.899
PASSERINI	EKIP 40 compl.	•	•	
	EKIP 40 NUOVO compl.	•	•	
	EKIP 40 NUOVO sorm.	•	•	
	EKIP 40 sorm.	•	•	
	EKIP 50 compl.	•	•	
	EKIP 50 sorm.	•	•	
	EKIP ev compl.	•	•	
	EKIP ev sorm.	•	•	
	EKIP THERMO 53	•	•	
EKIP THERMO 53 Porte	•	•		
PASSERINI	MAASTRICHT 53	•	•	
	MAASTRICHT 53 Porte	•	•	
	MAASTRICHT LIGHT	•	•	
	MAASTRICHT TH 60	•	•	•
	MAASTRICHT TH 60 Porte	•	•	•
	MAASTRICHT TH 68	•	•	•
	MAASTRICHT TH 68 Porte	•	•	•
	VENICE TH16	•	•	
VENICE TH16 Porte	•	•		
PONZIO SUD	NEW TEC 50	•	•	
	NEW TEC 50 Porte	•	•	
	NEW TEC 52	•	•	
	NEW TEC 52 Porte	•	•	
	NEW TEC 60	•	•	•
	NEW TEC 60 TT Porte	•	•	•
	NEW TEC 68 ST	•	•	•
	NEW TEC 68 TT Porte	•	•	•
	WINDSTOP 45 TT by PONZIO	•	•	
	WINDSTOP 45 TT by PONZIO ragg	•	•	
	WINDSTOP 60 by PONZIO Porte	•	•	•
PROFILATI	EKU 53	•	•	
	EKU 53 Porte	•	•	
	EKU 53 TT	•	•	
	EKU 53 TT Porte	•	•	
	EKU 64 TT	•	•	•
	EKU 64 TT Porte	•	•	•
	EKU 72 TT	•	•	•
	PE 40	•	•	
	PE 50	•	•	
	PE 58 TT compl.	•	•	•
PE 58 TT sorm.	•	•	•	
SCHUCO	ROYAL S 50	•	•	
	ROYAL S 50 N porte	•	•	
	ROYAL S 50 N sorm.	•	•	
	ROYAL S 50 porte	•	•	
	ROYAL S 55 porte	•	•	
	ROYAL S 55 sorm.	•	•	•
	ROYAL S 65 porte	•	•	•
	ROYAL S 65 sorm.	•	•	•
	ROYAL S 70 porte	•	•	•
ROYAL S 85NB porte	•	•	•	

Savio spa reserves the right to modify the technical specifications of products featured in this catalogue at any moment and without warning.