

OPENING SYSTEMS FOR CURTAIN WALLS



Full range of accessories and opening systems for curtain walls

Top hung and side hung opening arms
Handles
Closing mechanisms
Innovative solutions

Efficient, versatile, innovative: discover the range of solutions for curtain walls

Arms for top hung and side hung opening

Extremely sturdy and featuring optimal geometries, they are also available in the heavy version for top hung opening. They guarantee top level performance, and are tested up to 25,000 cycles according to standard EN 13126-6.

Handles

Specifically designed for curtain walls, the range of handles is enriched with new models, all equipped with ergonomic grip, linear look and high-resistance steel pinion. Also available in the bi-directional version.

New universal connection piece

The newly-designed connection pieces, easily adaptable to any size, allow a simple and fast fixing with no rod machining required. Thanks to this system, the handle can be immediately assembled and subsequently connected to the connection pieces.

Double handle joined by a bar

A practical and innovative solution that allows easy parallel opening of the windows with only one hand, operating on two synchronized opposite handles.

Savio opening systems for
curtain walls.
Functionality in its best form.

 SAVIO
Open mind for closing systems.

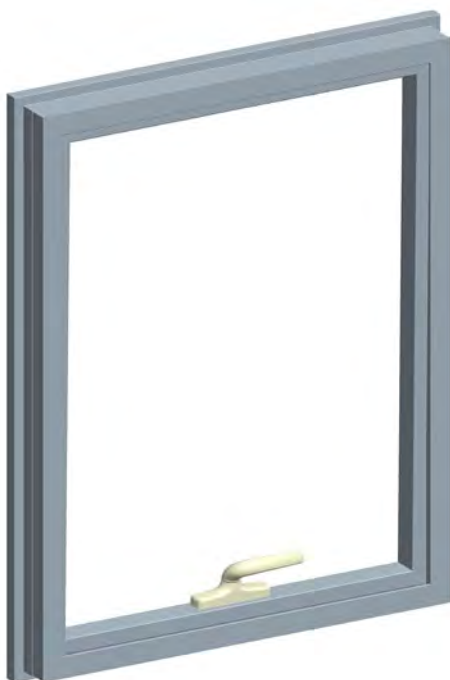
Parallel opening



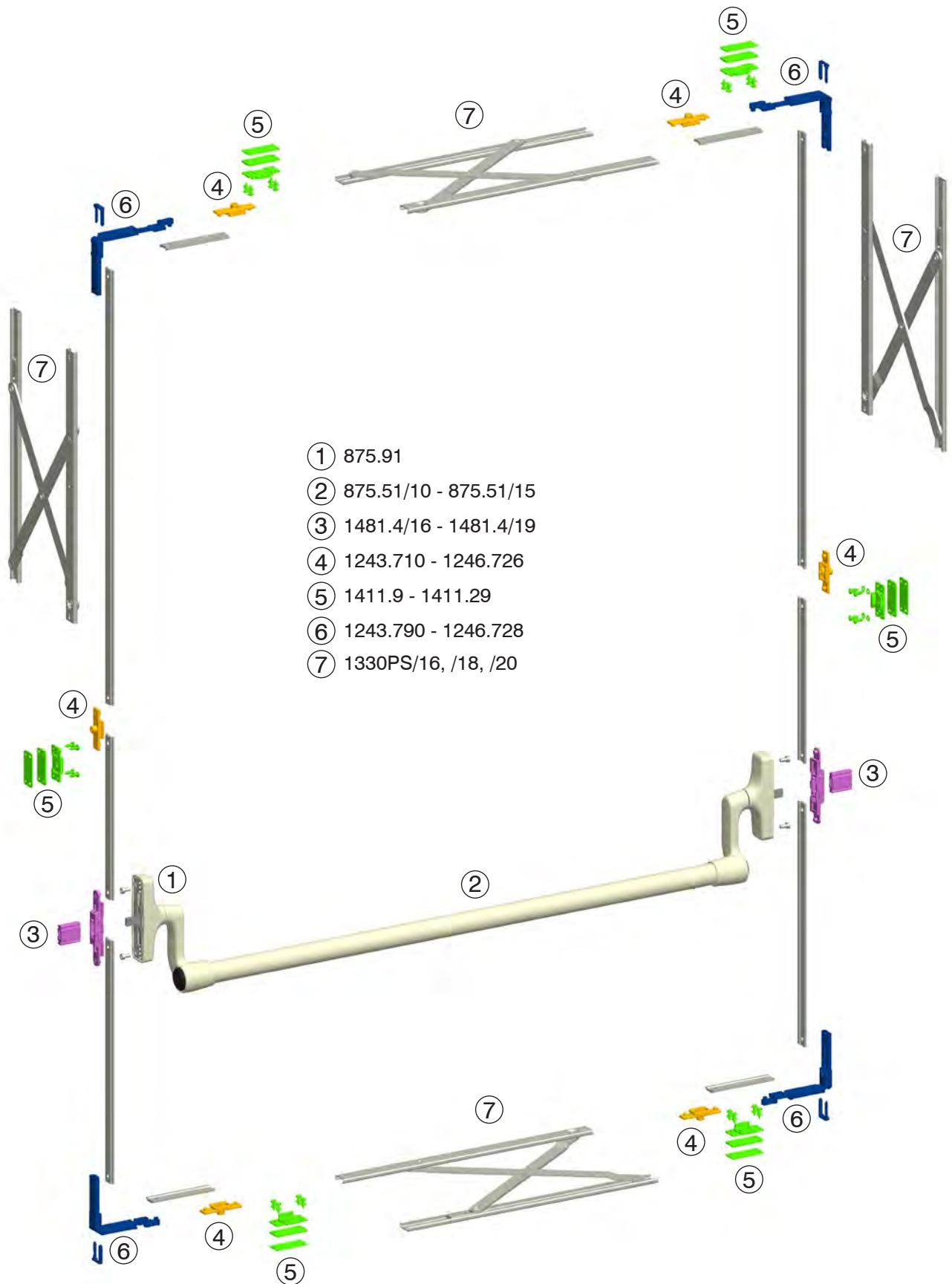
- Innovation
- Functionality
- Quick assembly

- Aesthetics
- Ergonomics
- Easy and safe to manoeuvre

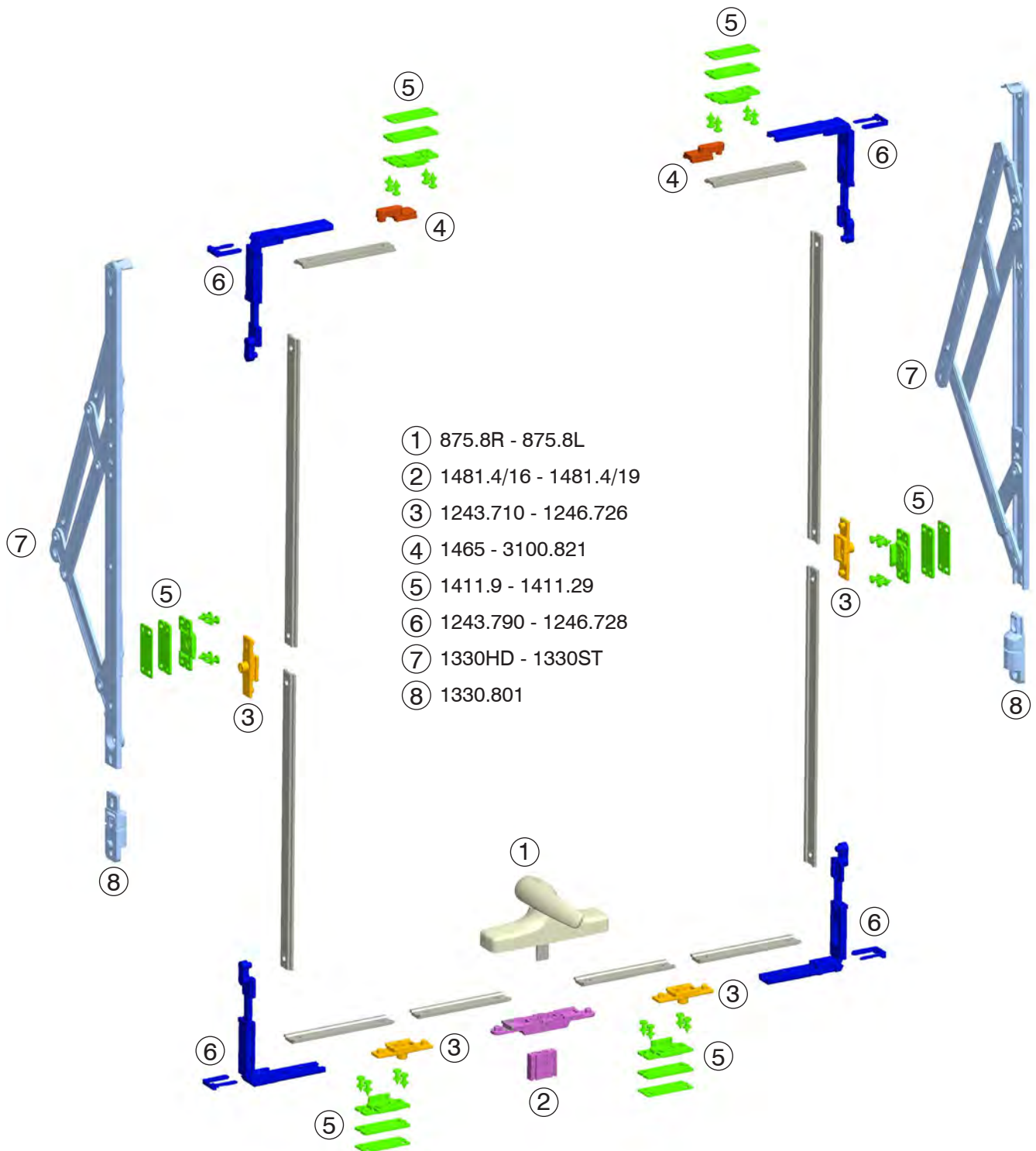
Top hung opening



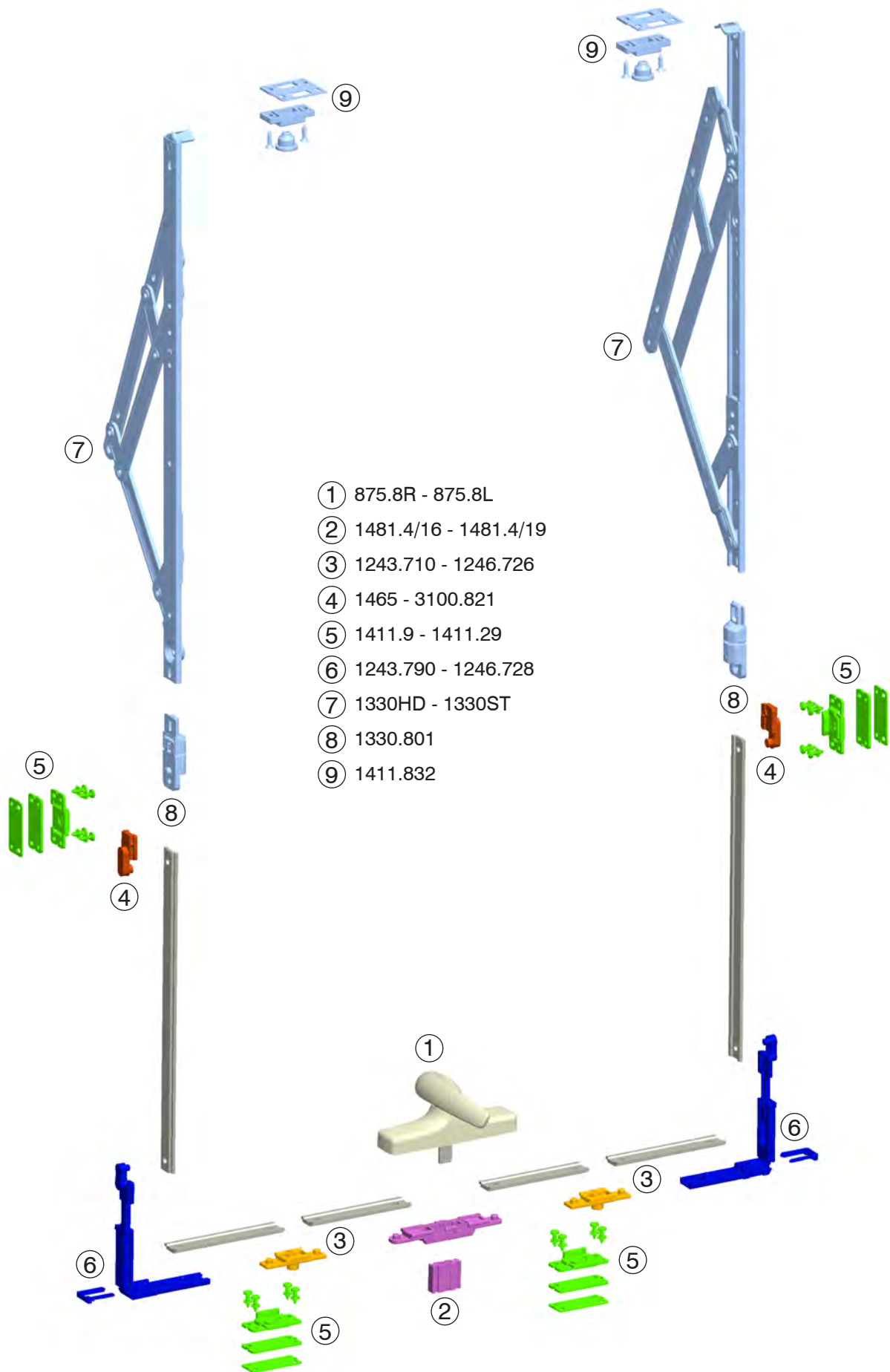
Parallel opening with double handle art. 875.91 + 875.51/10, /15



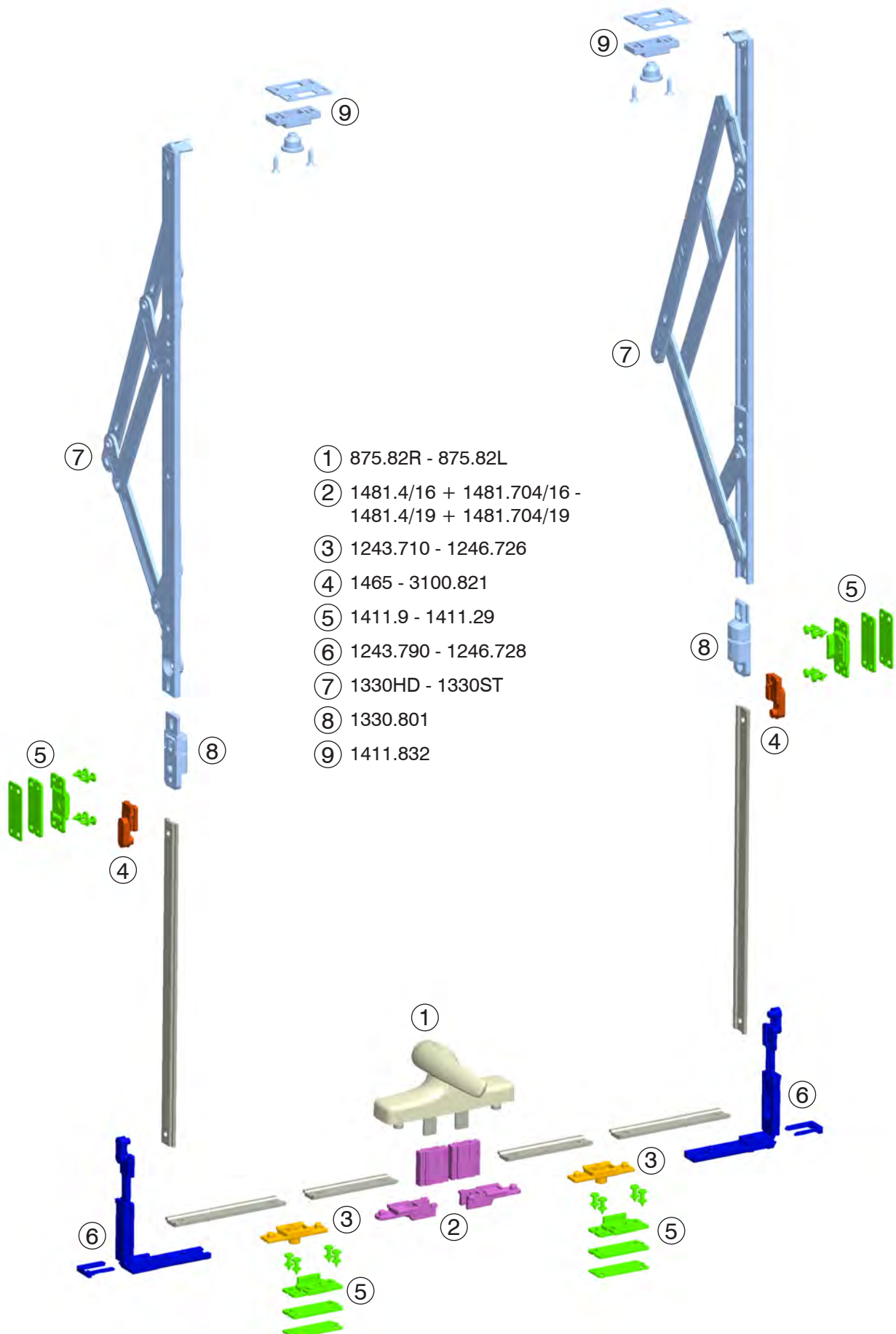
Top hung opening with handle art. 875.8R - 875.8L



Top hung opening with handle art. 875.8R - 875.8L

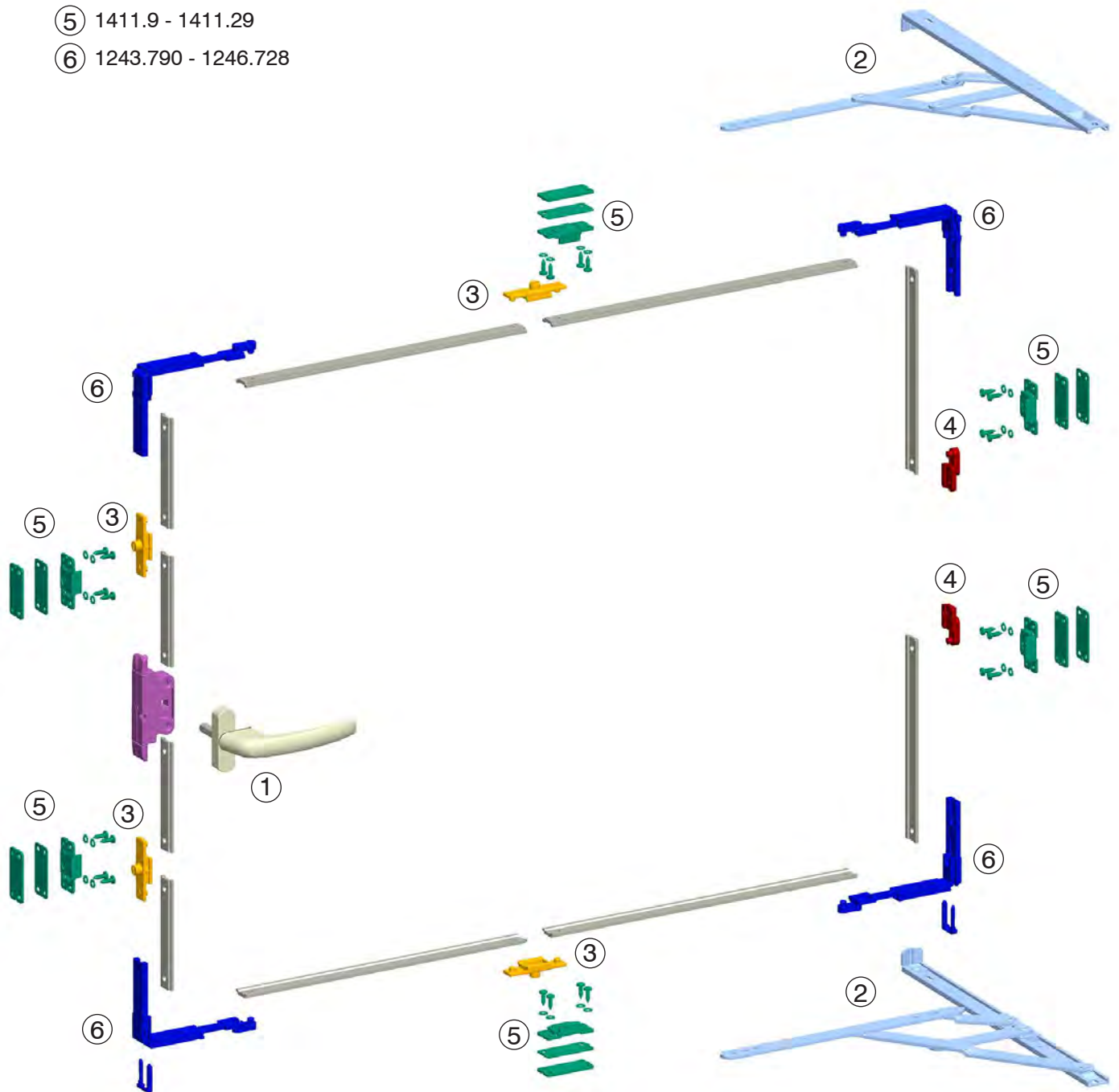


Top hung opening with handle art. 875.82R - 875.82L



Side hung opening with snap latches art. 1609 - 1609.1



- ① 1609 - 1609.1
- ② 1330SH
- ③ 1243.710 - 1246.726
- ④ 1465 - 3100.821
- ⑤ 1411.9 - 1411.29
- ⑥ 1243.790 - 1246.728




Handles and snap latches

	Article	Description	Pcs.	Finishes
	875.8R	Right handle for curtain walls in die-cast metal, dist. between centres 84,5-98 mm, 2 socket head cap screws M5x13 in stainless steel 304.	5	1013, 9005, 9010, C, GR217, SILV
	875.8L	Like 875.8R but left hand.	5	1013, 9005, 9010, C, GR217, SILV
	Article	Description	Pcs.	Finishes
	875.753R	Right handle for curtain walls in die-cast metal, with safety cylinder (same keys), dist. between centres 84,5-98 mm, 2 socket head cap screws M5x13 in stainless steel 304.	5	1013, 9005, 9010, GR217, SILV
			5	
	Article	Description	Pcs.	Finishes
	875.82R	Bi-directional right handle for curtain walls in die-cast metal, dist. between centres 84,5-98 mm, 2 TORX® (T15) cap screws M5x13 in stainless steel 304.	5	1013, 1035, 8017, 9005, 9010, GR217, SILV
	875.82L	Like 875.82R but left hand.	5	1013, 1035, 8017, 9005, 9010, GR217, SILV
	Article	Description	Pcs.	Finishes
	875.754R	Bi-directional right handle for curtain walls in die-cast metal, with safety cylinder (same keys), dist. between centres 84,5-98 mm, 2 TORX® (T15) cap screws M5x13 in stainless steel 304.	5	1013, 9005, 9010, GR217, SILV
	Article	Description	Pcs.	Finishes
	875.91	Double handle in die-cast metal, 2 bar connection pieces and 2 tie rods in zamak, 2 bar caps in nylon, 2 six lobe cap screws, low head M6.3x45 in galvanized steel and 4 socket head cap screws M5x10 in stainless steel.	1	C, 9005, 9010


Handles and snap latches

	Article	Description	Pcs.	Finishes
	875.51/10	Bar of 1000 mm in coated aluminium. To use with the double handle art. 875.91.	1	C, 9005, 9010
	875.51/15	Bar of 1500 mm in coated aluminium. To use with the double handle art. 875.91.	1	C, 9005, 9010
	Article	Description	Pcs.	Finishes
	1609	Snap-latch with reduced base and handle made of aluminum and nylon with 7 mm squared spindle and 2 zinc-plated steel countersunk head screw M5x35.	5	9005, 9010, C
	1609.1	Snap-latch with reduced base and handle made of aluminum and nylon with 7 mm square spindle (62,5 mm projecting part) and 2 zinc-plated steel countersunk head screw M5x70.	5	9005, 9010, C





Keepers, handle connection pieces and locking pieces

	Article	Description	Pcs.	Finishes
	1243.710	Locking piece in black galvanized zamak, 1 polyurethane cap.	40	
	Article	Description	Pcs.	Finishes
	1243.790	Upper corner drive in black galvanized zamak.	10	
	Article	Description	Pcs.	Finishes
	1246.726	Locking piece in black galvanized zamak, 1 polyurethane cap.	40	


Keepers, handle connection pieces and locking pieces


	Article	Description	Pcs.	Finishes
	1246.728	Upper corner drive in black galvanized zamak.	10	
	Article	Description	Pcs.	Finishes
	1411.6	Keeper in black galvanized zamak, 1 nylon spacer of 2 mm.	100	
	1411.8	Keeper in black galvanized zamak, 1 nylon spacer of 2 mm.	100	
	Article	Description	Pcs.	Finishes
	1411.7	Adjustable keeper in black galvanized zamak.	100	
	Article	Description	Pcs.	Finishes
	1411.9	Kit of an adjustable keeper in stainless steel and white galvanized zamak, 2 spacers in black nylon (1 mm and 2 mm), 4 self-tapping round head screws (Ø 3.9x13) and 4 washers in stainless steel.	40	
	1411.29	Kit of an adjustable keeper in stainless steel and white galvanized zamak, 2 spacers in black nylon (1 mm and 2 mm), 4 self-tapping round head screws (Ø 3.9x13) and 4 washers in stainless steel.	100	
	Article	Description	Pcs.	Finishes
	1411.10	Kit of an adjustable keeper in stainless steel and white galvanized zamak, 2 spacers in black nylon (1 mm and 2 mm), 4 self-tapping round head screws (Ø 3.9x13) and 4 washers in stainless steel.	40	


Keepers, handle connection pieces and locking pieces

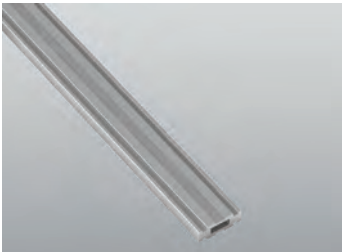
	Article	Description	Pcs.	Finishes
	1411.800/1	Kit of spacers for adjustable keeper consisting of one, 1 mm spacer and one, 2 mm spacer in black nylon. To use with art. 1411.9/.29.	40	
	Article	Description	Pcs.	Finishes
	1411.801/1	Kit of spacers for supplementary locking point art. 1411.832 consisting of one, 1 mm spacer and one, 2 mm spacer in black nylon.	40	
	Article	Description	Pcs.	Finishes
	1411.832	Kit of a supplementary locking point with preassembled grub screw in white galvanized zamak and stainless steel, 2 spacers in black nylon (1 mm and 2 mm), 2 self-tapping countersunk head screws (Ø 3.9x16) in stainless steel. To be used with arm stays art. 1330HD/20, 1330HD/24 and 1330HD/28.	20	
	Article	Description	Pcs.	Finishes
	1465	Terminal locking piece in black galvanized zamak, 1 polyurethane cap and 1 nylon bushing Ø 6-Ø 8.	100	
	Article	Description	Pcs.	Finishes
	1481.4/16	Kit of handle connection pieces for façade (profile groove: 16.5 - 23 mm) in white galvanized zamak and extruded aluminium, 1 oversizing bushing (Ø 6-Ø 8 mm) in black nylon, preassembled grub screw in stainless steel.	20	
	1481.4/19	Kit of handle connection pieces for façade (profile groove: 23 ÷ 29,5 mm) in white galvanized zamak and extruded aluminium, 1 oversizing bushing (Ø 6-Ø 8 mm) in black nylon, preassembled grub screw in stainless steel.	20	


Keepers, handle connection pieces and locking pieces

	Article	Description	Pcs.	Finishes
	1481.40	Kit of handle connection pieces for façade in white galvanized zamak and extruded aluminium, 2 grub screws M5x10 in stainless steel.	100	


	Article	Description	Pcs.	Finishes
	1481.704/16	Extension part (profile groove: 16,5 ÷ 23 mm) for bi-directional handles in mill-finished aluminium, 1 grub screw M5x10 in stainless steel. To use with art. 1481.4/16.	20	
	1481.24/16	Like art. 1481.704/16.	100	

	Article	Description	Pcs.	Finishes
	1481.704/19	bi-directional handles in mill-finished aluminium, 1 grub screw M5x10 in stainless steel. To use with art. 1481.4/19.	20	
	1481.24/19	Like art. 1481.704/19.	100	







	Article	Description	Pcs.	Finishes
	1481.704/300	Extension part of 3 meters for bi-directional handles in mill-finished aluminium. To use with art. 1481.40.	1	

	Article	Description	Pcs.	Finishes
	3100.821	Locking piece in black galvanized zamak, 1 cup in low density polyethylene (LDPE), 1 bushing Ø 6-Ø 8 mm.	40	

Arm stays for top hung and side hung openings

	Article	Description	Pcs.	Finishes
	1307.8	Pair of adjustable two-position arms (LH+RH) for top hung casement opening out, with open position stop device, in stainless steel 316. Suitable for profiles with clearance of 16,5 mm.	5	

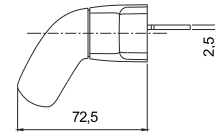
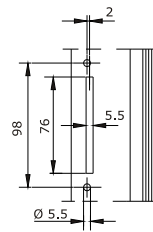
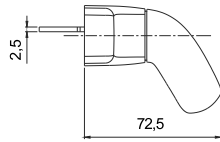
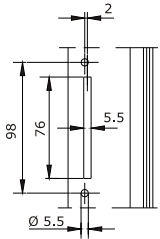
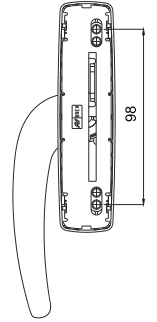
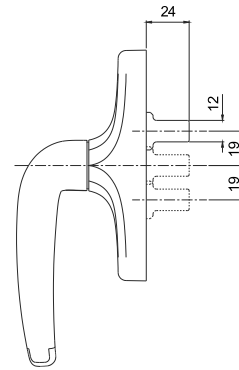
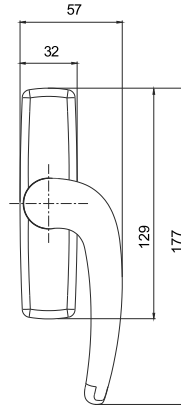
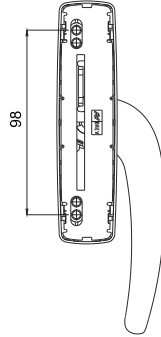
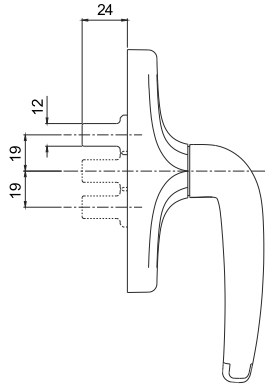
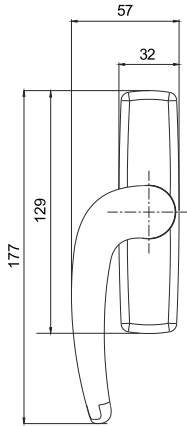
Arm stays for top hung and side hung openings

	Article	Description	Pcs.	Finishes
	1330PS/16	Couple of parallel opening arms, length of 16" (400 mm), in austenitic (not magnetic) AISI 304 stainless steel, adjustment frictioning grub screw, opening of 200 mm. Weight capacity 42 Kg. Suitable to profiles with clearance \geq 21 mm.	5	
	1330PS/18	Like 1330PS/16 but length of 18" (475 mm). Weight capacity 50 Kg.	5	
	1330PS/20	Like 1330PS/16 but length of 20" (525 mm). Weight capacity 55 Kg.	5	
	Article	Description	Pcs.	Finishes
	1330SH/14	Couple of stay arms for side hung window, length of 14" (355,6 mm), in austenitic (not magnetic) AISI 304 stainless steel, adjustment frictioning grub screw, opening angle 88°. Weight capacity 43 Kg (94,80 lbs). Suitable to profiles with clearance \geq 16.5 mm.	5	
	1330SH/16	Couple of stay arms for side hung window, length of 16" (406,40 mm), in austenitic (not magnetic) AISI 304 stainless steel, adjustment frictioning grub screw, opening angle 88°. Weight capacity 45 Kg (99,208 lbs). Suitable to profiles with clearance \geq 16.5 mm.	5	
	Article	Description	Pcs.	Finishes
	1330ST/14	Couple of stay arms for top hung window, length of 14" (355,6 mm), in austenitic (not magnetic) AISI 304 stainless steel, adjustment frictioning grub screw, opening angle 50°. Weight capacity 48 Kg (105,82 lbs). Suitable to profiles with clearance \geq 16.5 mm.	5	
	1330ST/16	Couple of stay arms for top hung window, length of 16" (406,40 mm), in austenitic (not magnetic) AISI 304 stainless steel, adjustment frictioning grub screw, opening angle 50°. Weight capacity 53 Kg (116,84 lbs). Suitable to profiles with clearance \geq 16.5 mm.	5	
	Article	Description	Pcs.	Finishes
	1330HD/20	Couple of stay arms for top hung window, length of 20" (508 mm), in austenitic (not magnetic) AISI 304 stainless steel, non-handed, with opening restrictor device and adjustment frictioning grub screw, opening angle 20° or 25°. Weight capacity 115/108 Kg (253,53/238,09 lbs). Suitable to profiles with clearance \geq 16.5 mm.	5	
	1330HD/24	Like 1330HD/20 but length of 24" (609,6 mm), with opening angle 15° or 20° and weight capacity: 125/120 Kg (275,58/264,55 lbs).	5	
	1330HD/28	Like 1330HD/20 but length of 28" (711.2 mm), with opening angle 15° or 20° and weight capacity: 135/130 Kg (297,62/286,60 lbs).	5	
	Article	Description	Pcs.	Finishes
	1330.801	Height adjustment device in white galvanized zamak.	10	
	Article	Description	Pcs.	Finishes
1346.1/6	Frictioning opening limiter arm stay in stainless steel 304, 2 white galvanized zamak spacers and 1 release arm key in nickel plated zamak.	10		

Handles and snap latches

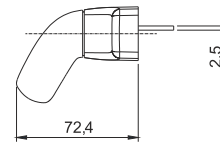
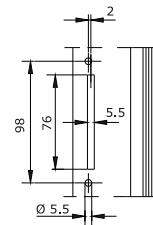
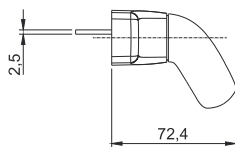
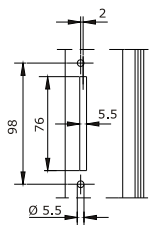
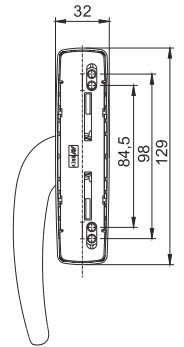
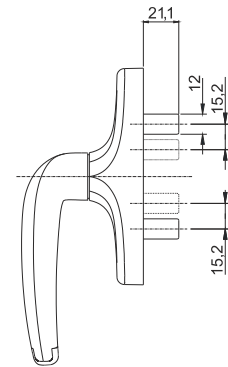
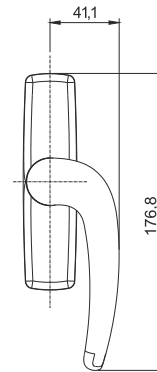
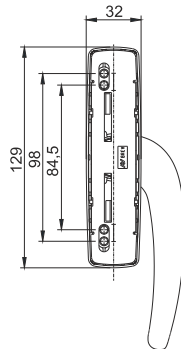
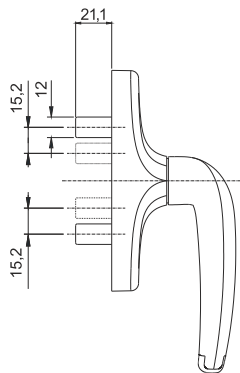
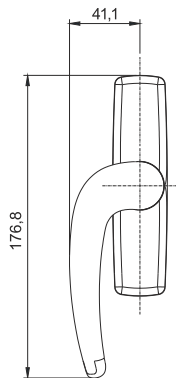
875.8R

875.8L



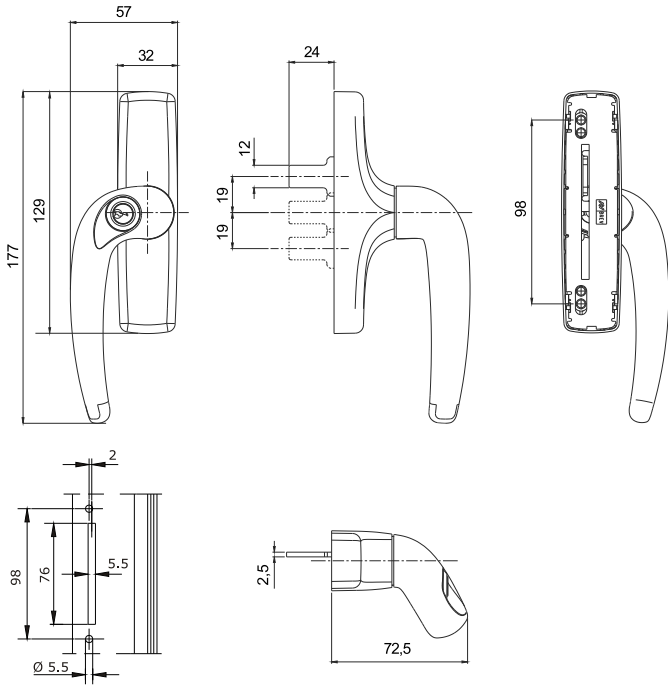
875.82R

875.82L

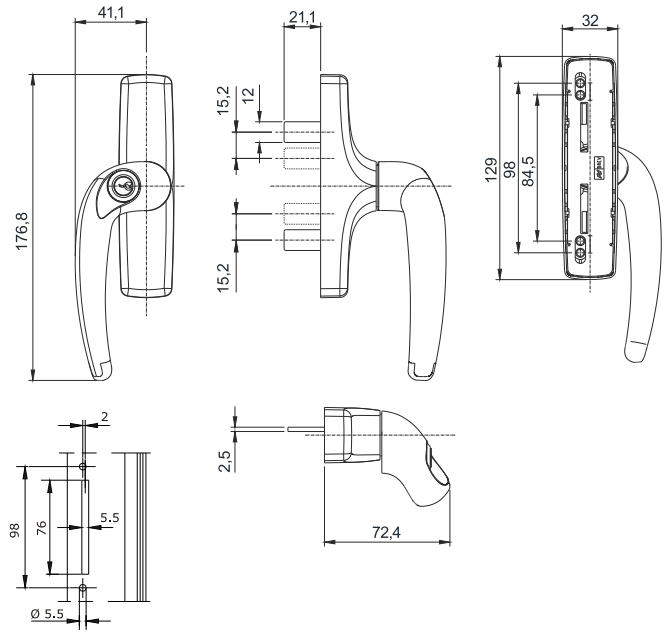


Handles and snap latches

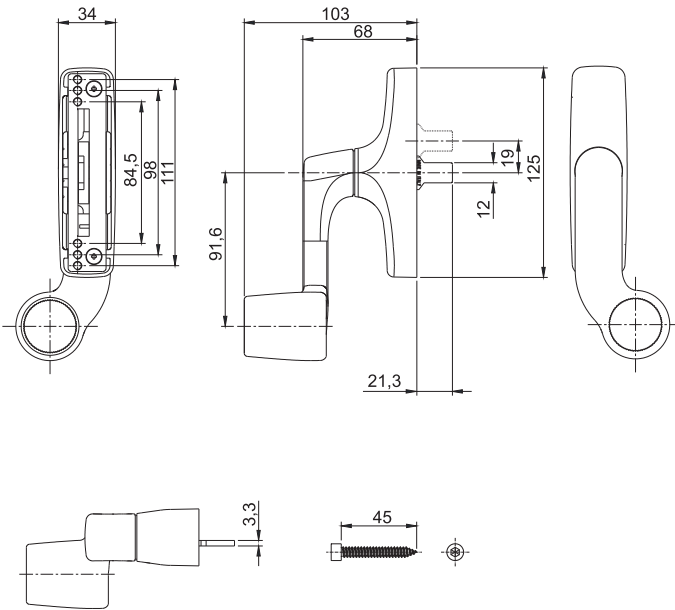
875.753R



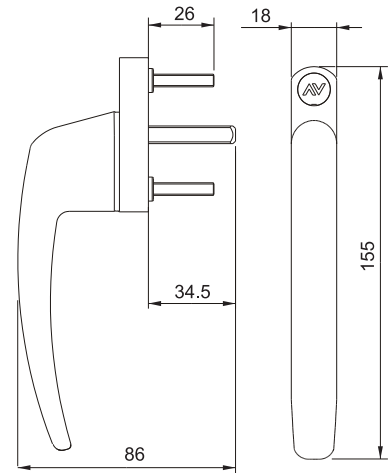
875.754R



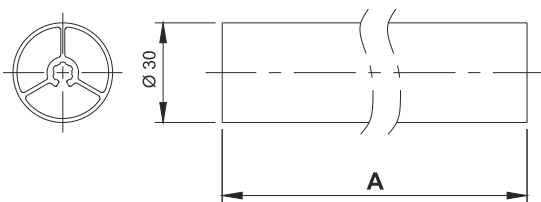
875.91



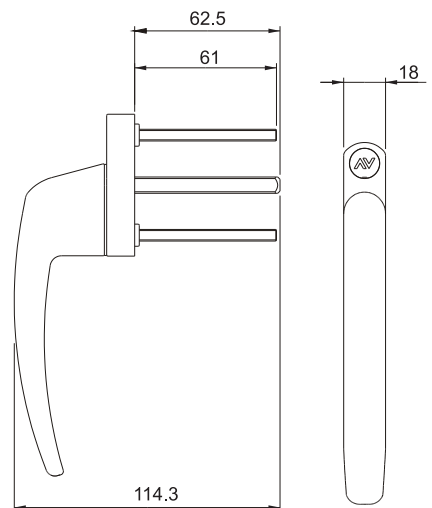
1609



875.51/10 - 875.51/15



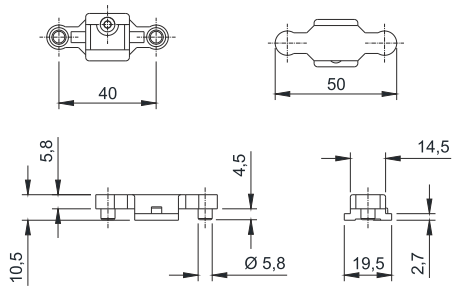
1609.1



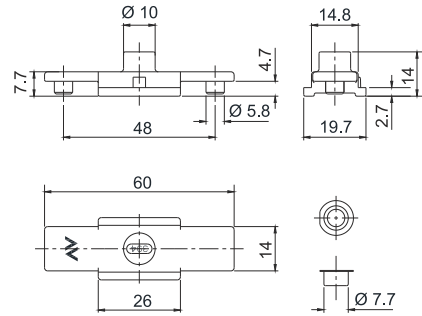
Art.	A
875.51/10	1000
875.51/15	1500

Keepers, handle connection pieces and locking pieces

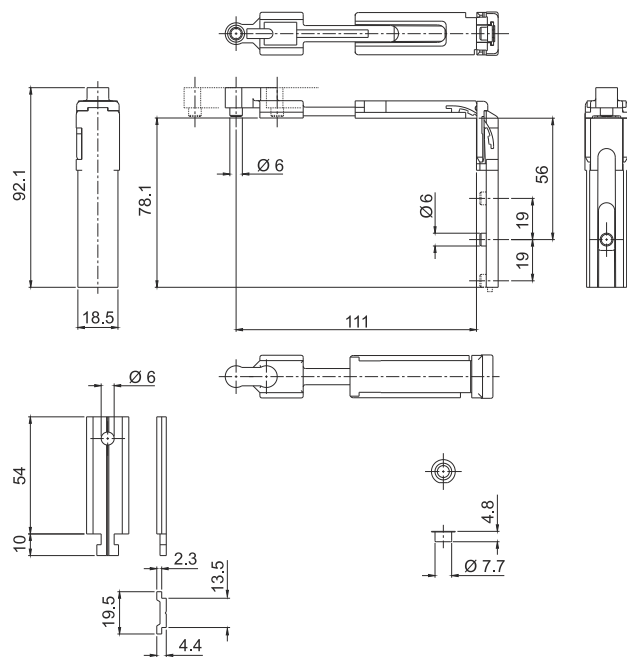
1243.710



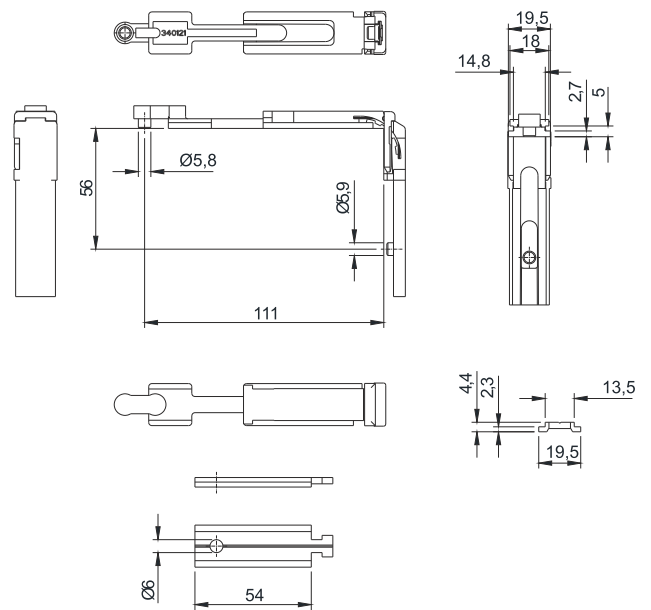
1246.726



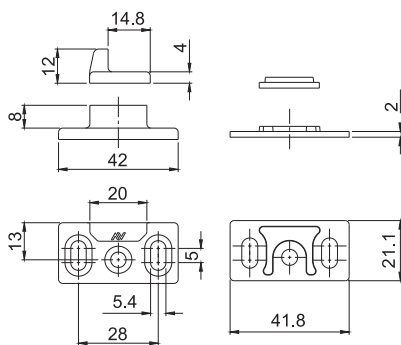
1246.728



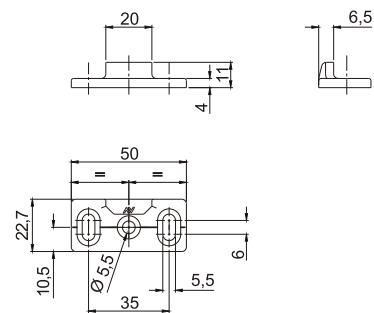
1243.790



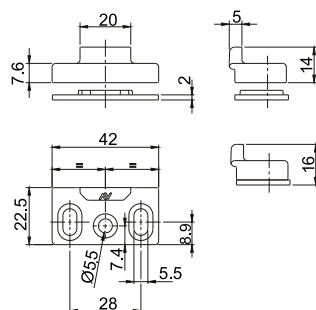
1411.6



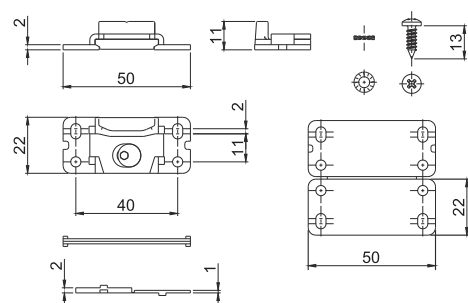
1411.7



1411.8

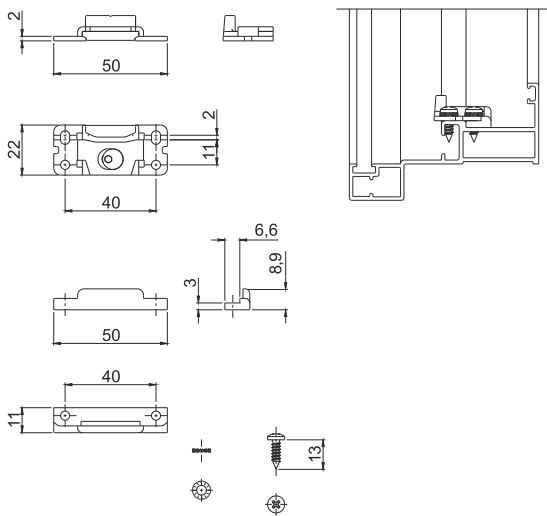


1411.9.29

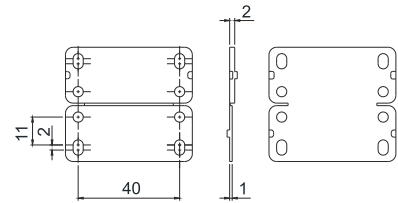


Keepers, handle connection pieces and locking pieces

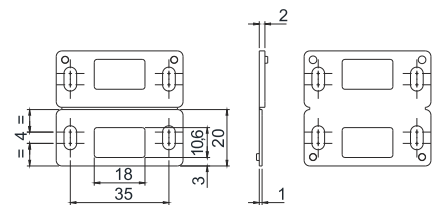
1411.10



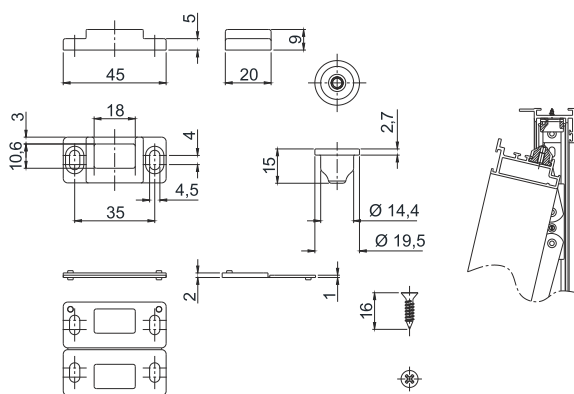
1411.800/1



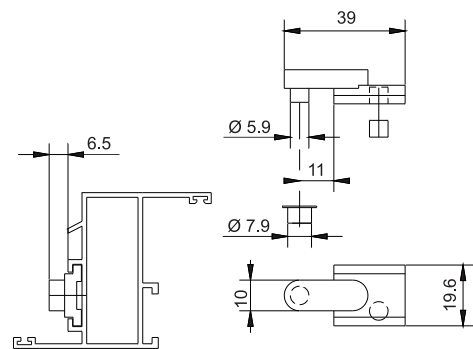
1411.801/1



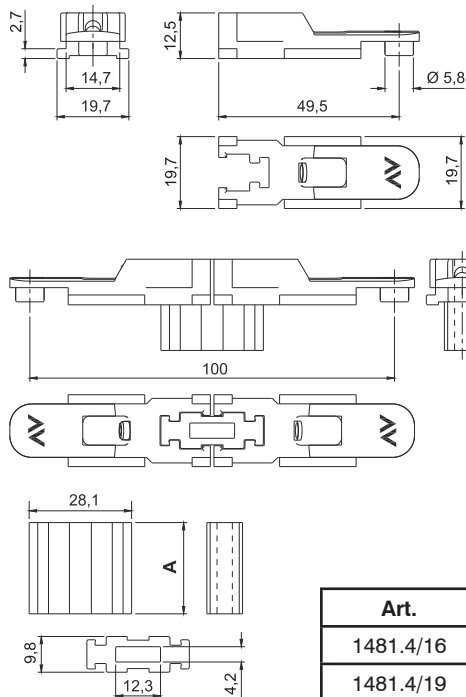
1411.832



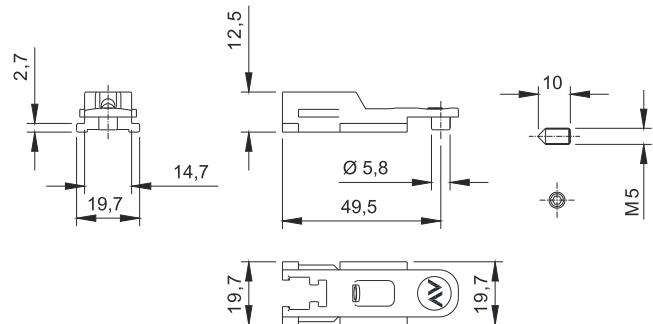
1465



1481.4/16, /19



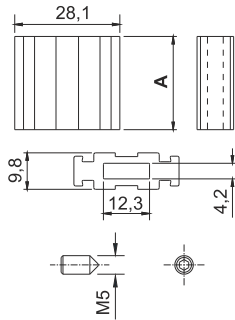
1481.40



Art.	A
1481.4/16	25
1481.4/19	31

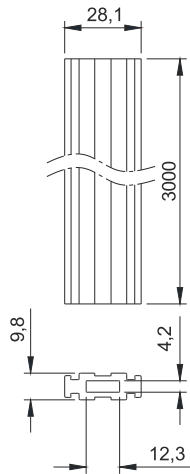
Keepers, handle connection pieces and locking pieces

1481.704/16, /19 - 1481.24/16, /19

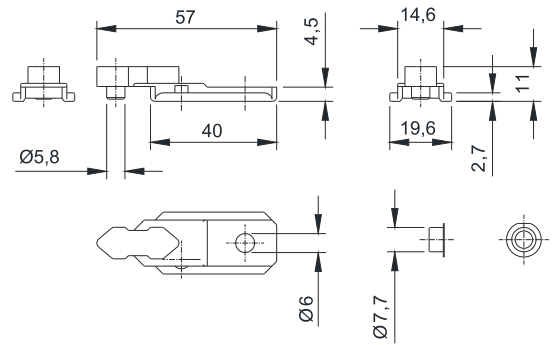


Art.	A
1481.704/16, 1481.24 /16	25
1481.704/19, 1481.24 /19	31

1481.704/300

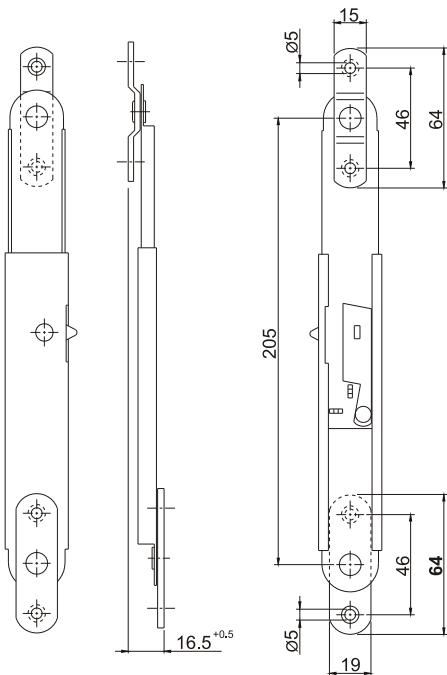


3100.821

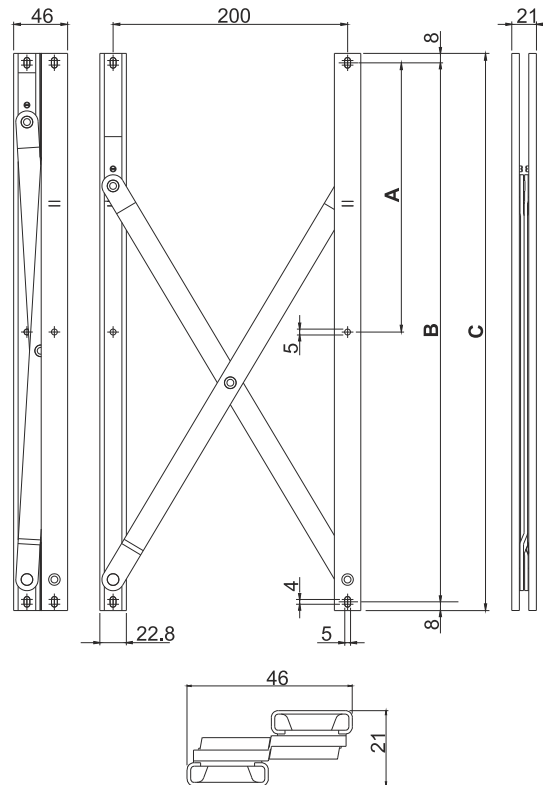


Arm stays for top hung and side hung openings

1307.8



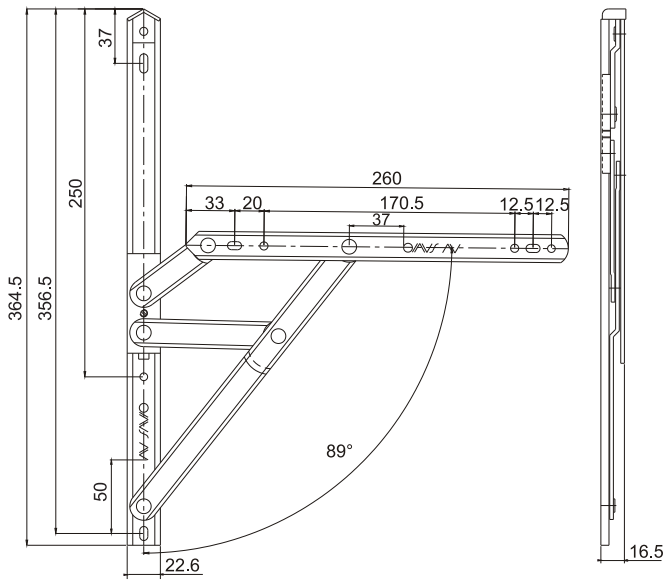
1330PS/16, /18, /20



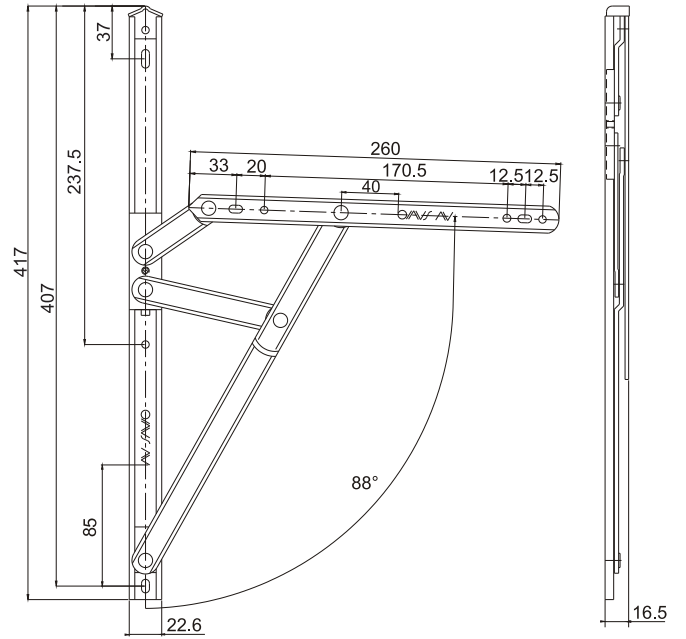
Art.	A	B	C	H max (mm)	L max (mm)	Weight capacity (Kg)
1330PS/16	192	384	400	800	1000	42
1330PS/18	229.5	459	475	1000	1200	50
1330PS/20	254.5	509	525	1200	1400	55

Arm stays for top hung and side hung openings

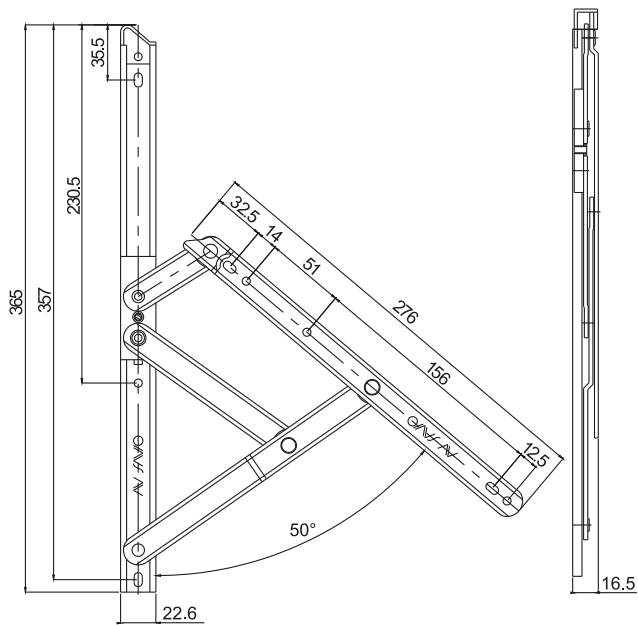
1330SH/14



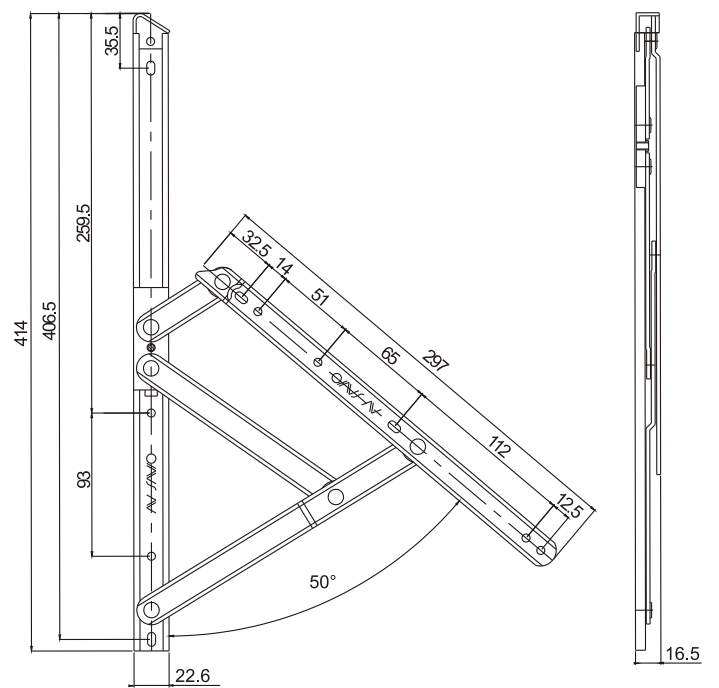
1330SH/16



1330ST/14

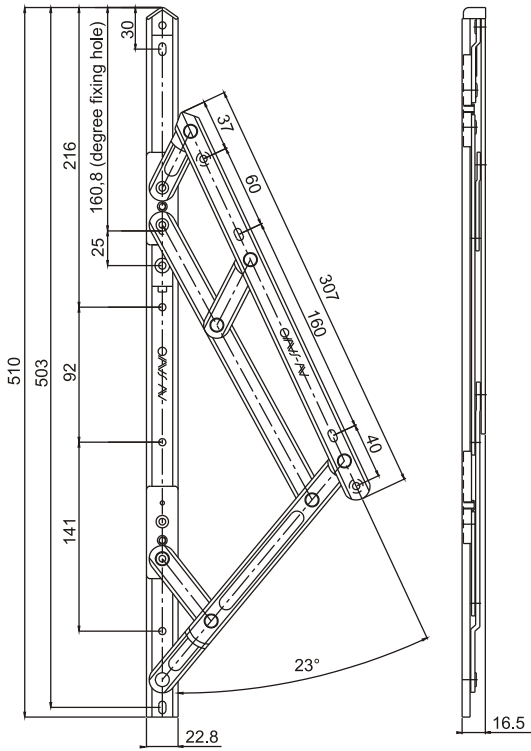


1330ST/16

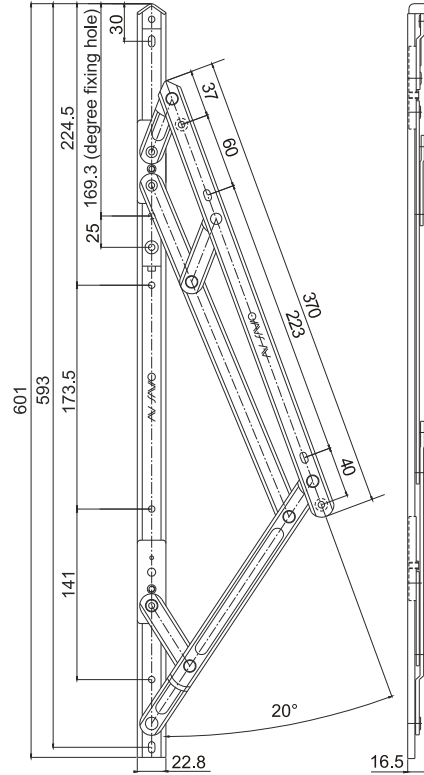


Arm stays for top hung and side hung openings

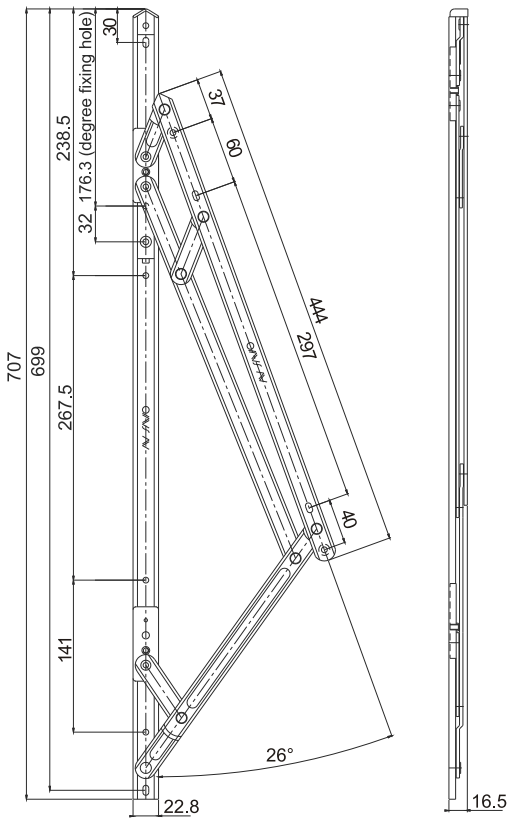
1330HD/20



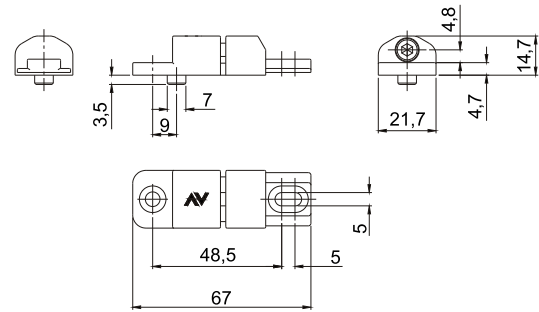
1330HD/24



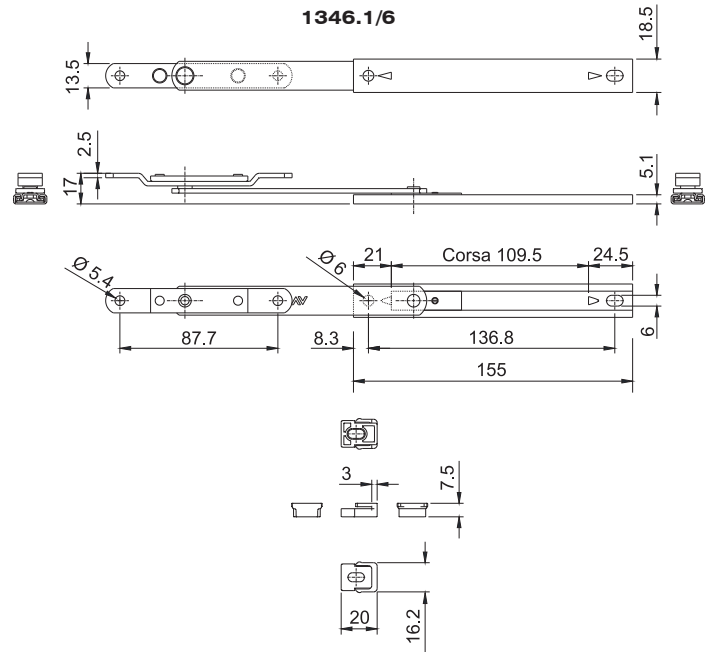
1330HD/28



1330.801



1346.1/6





Savio S.p.A.
Via Torino, 25 (S.S. 25) - 10050 Chiusa S. Michele (TO)
Tel. +39 011 964 34 64 - Fax +39 011 964 34 74
www.savio.it - export@savio.it

