

CELLINI



PANIC BARS
CE Marking
IN ACCORDANCE WITH EN 1125:1997/A1:2001

Exclusive PININFARINA design
Full adaptability in application
Quick and easy installation
Reliable and safe performance

GB 03/2006

AV SAVIO
by
pininfarina

Pininfarina design, a new standard

Savio technology ... for panic devices

CELLINI: touch-bar type devices

Conforming to European UNI EN 1125 standard and with top level CE marking, CELLINI has revolutionized the market for traditional panic bars. It has completed the range of SAVIO panic bars designed by Pininfarina joining BERNINI push-bar version. Totally versatile application (horizontal or vertical, with 1, 2 or 3 locking points; on wood, iron, aluminium or PVC doors) easy to mount for rapid installation like push version, CELLINI has the same accessories and the same care for finishing.



Quality and security signed by SAVIO: CELLINI continues the evolution of the species

Besides exclusive design and ergonomic and functional features, together with technical solutions and versatility of application, CELLINI guarantees the top level of international qualitative standards ... and it shows!



AV SAVIO
pininfarina

AV SAVIO
pininfarina

A hint of class for any environment

The exclusive line of new CELLINI panic bar combines robustness and elegance, with precise shapes, balanced dimensions and no projections.

CELLINI, like BERNINI, is able to transform a functional object into an interior design accessory, capable of fitting in perfectly anywhere and everywhere.

Particular attention has been paid to the range of finishes, both in terms of the technical characteristics of the coatings and the "T" coverplate/bar colour combinations (as described below) making it possible to create a series of refined configurations.

As well as guaranteeing unbeatable durability, fitting a CELLINI panic bar in a office building, a multi-screen cinema, a gym or an airport also means fitting a high added value product, untouched by the vagaries of fashion, a benchmark in the industrial design of Pininfarina.



GREY AND INOX



GREY AND RED



GREY AND GREEN



WHITE AND INOX



BLACK AND INOX



WHITE AND RED



BLACK AND RED



WHITE AND GREEN



BLACK AND GREEN

Voluntary tests in progress:
CELLINI has already passed
1.500.000
cycles

We have decided to test this product for a number of cycles much higher than those requested by the standard in order to show the high resistance and reliability of the product. At the end of 1.500.000 cycles, the panic device satisfy requirements of standard EN 1125:1997/A:2001.

Products listed in the certificate guarantee a number of operating cycles (**200.000 cycles**), making them suitable for frequent use. These figures, together with other important factors enabling the performance of the product to be valued, are given below:

37601422B

The various grades obtainable are:

(CELLINI grades in bold)

Category of use:

Grade 3: high frequency of use by public

Durability:

Grade 6: 100.000 opening/closing cycles

Grade 7: 200.000 opening/closing cycles

Door mass:

Grade 5: up to 100 kg

Grade 6: up to 200 kg

Fire resistance, for application on fire/smoke door assemblies:

Grade 0: not suitable

Grade 1: suitable

Safety:

Grade 1: the panic bar is safe for the user

Corrosion resistance:

Grade 3: high resistance (96 hours in salt spray)

Grade 4 : very high resistance (240 hours in salt spray)

Anti-burglar security:

Grade 2: guarantees a good grade of security without compromising operation of the panic device

Projection of bar:

Grade 1: up to 150 mm

Grade 2: up to 100 mm

Type of bar operation:

Type A = panic device with push-bar operation

Type B = panic device touch-bar operation

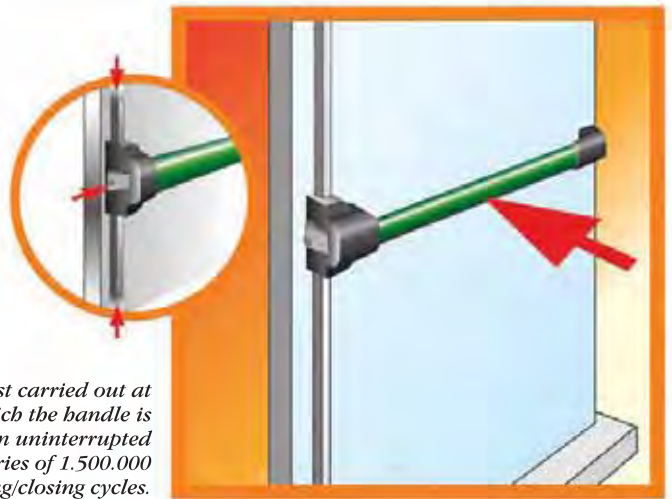
The EN 1125:97 + A1:2001+ AC:2002 standard certifies products for application on doors with a maximum width of 1300 mm and a maximum height of 2500 mm.

For larger doors, the product cannot be certified (6000.B/1500, 6000.721).

**Certified safety, top performance:
the reliability of innovation.**

CELLINI has been verified in accordance with EN1125:1997/A:2001 as described in the Official Journal of Italian Republic n°95 dated 23/04/2004, by the French certification institute AFNOR, authorized to grant permission to use the CE marking in Europe. Its identification number is 0049.

The tests were carried out at the prestigious CETIM Institute at S.Etienne (France).



Detail of the test carried out at CETIM in which the handle is subjected to an uninterrupted series of 1.500.000 opening/closing cycles.



CELLINI: Touch-bar type panic device

Exclusive PININFARINA design

Thanks to particular care taken over the design (entrusted to PININFARINA), this product enhances the look of any architectural context.

Full adaptability in application

The complete range covers all possible applications.
It can be applied both on transom or jamb.

Quick and easy application

Totally non-handed, installation is simplified by the use of counterplates, enabling application on standard profiles with, if necessary, final mounting on site. The adjustable latch bolts also make it possible to find the optimum position in case of interference with corner cleats used for sections.

The quickness of application is given also by the presence of a single aluminium bar easy to cut precisely.

Reliability and safe performance

The high degree of security against attempted break-in, efficiency of the mechanisms and high quality materials and finishes all guarantee excellent durability.

Modular product

The product is available either in a complete single pack or in separate modular kits enabling every user to choose the preferred modular combination.

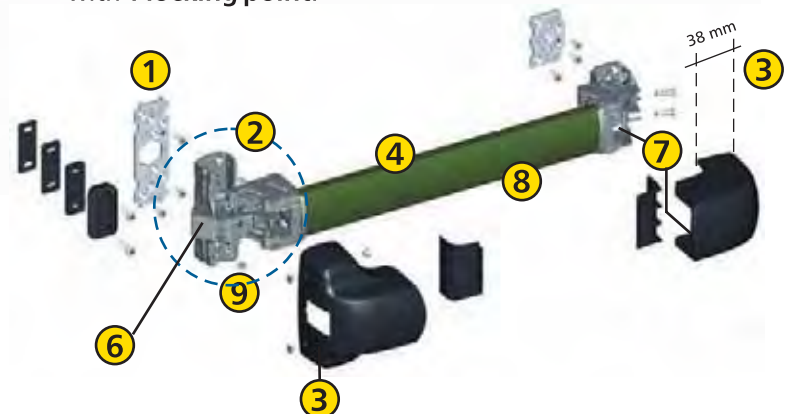
Reduced dimensions

Thanks to its reduced dimensions, CELLINI isn't cumbersome on the door.
Its prehensile design make easier the closing of the door.



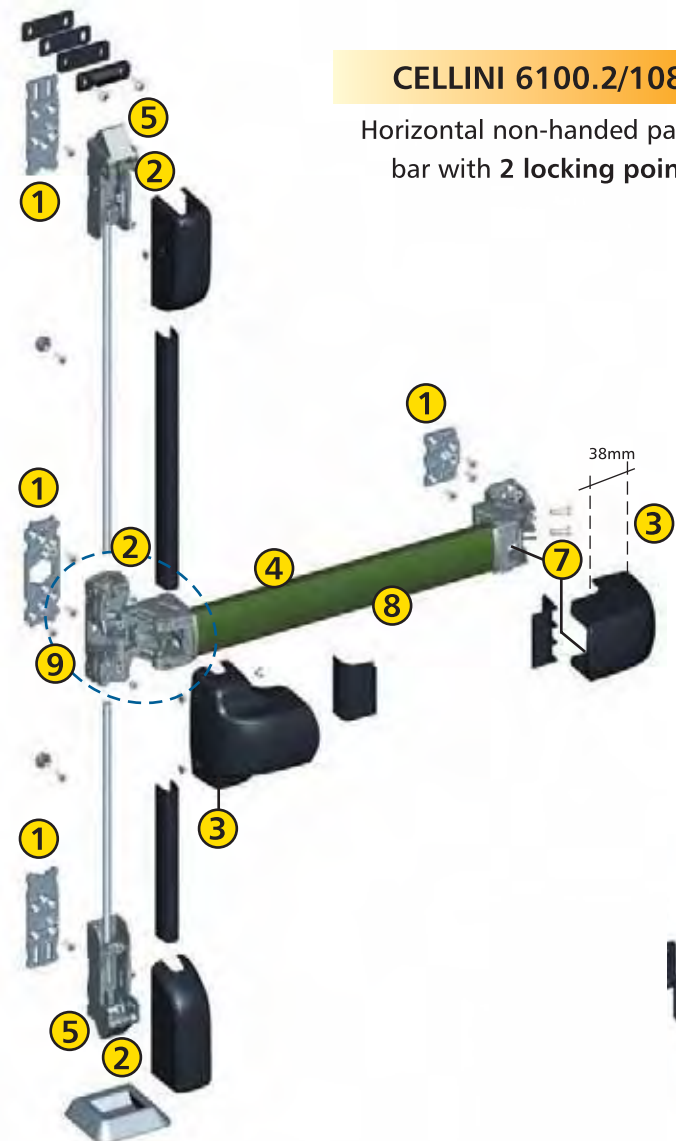
CELLINI 6100.1/1085

Horizontal non-handed panic bar **1** with 1 locking point.



CELLINI 6100.2/1085

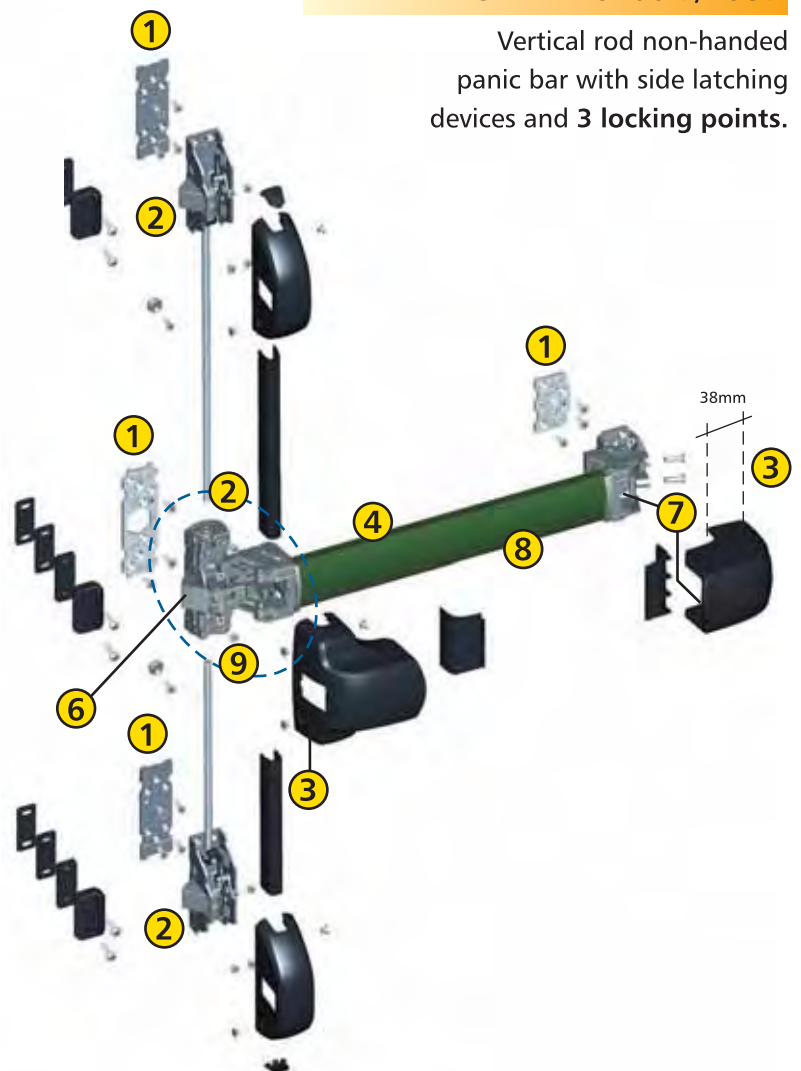
Horizontal non-handed panic bar with 2 locking points.



Secondary support coverplate also available in the version symmetrical to the main one (optional).

CELLINI 6100.3/1085

Vertical rod non-handed panic bar with side latching devices and 3 locking points.



- ① All supports and latch bolts are assembled on steel counterplates (also welded) for quick, easy and secure fastening.
- ② All mechanisms are fully non-handed.
- ③ Compact size (38 mm) to allow mounting even on standard profiles.
- ④ Horizontal bars with large elliptical section for a better manouvring and grasping.
- ⑤ Adjustable top and bottom latch bolts with burglar-proof device.
- ⑥ Central latch bolt with burglar-proof device.
- ⑦ Secondary support for inserting the dogging mechanism and microswitch.
- ⑧ Grippable horizontal bar for easier re-shutting of the door; in just one aluminium piece, therefore quicker and easier to cut, with wide cutting tolerance.
- ⑨ Movement on rollers for improved smoothness of operation.

Complete Kits



Art.	Description	Pcs.	*Finishes
6100.1/1085	(patented) Horizontal non-handed panic bar with 1 locking point in zamak and galvanized steel. Complete with: latch bolt in nickel plated zamak, counterplates in white galvanized steel, 1085 mm bar in painted aluminium complete with black nylon gasket for aesthetical reasons, 1 keeper + 3 spacers in painted zamak, 8 countersunk screws Ø 4.2x13, 2 socket head screws Ø 4.2x19, 12 countersunk screws M4x5 and 2 countersunk screws M4x16 in black galvanized steel, 4 grub screws M6x8 in white galvanized steel and 1 grub screw fitting jig in black nylon. <i>For doors with a clear width of 800 to 1240 mm and a max. height of 2450 mm.</i>	1	3001, 6029



Art.	Description	Pcs.	*Finishes
6100.2/1085	(patented) Vertical rod non-handed panic bar with 2 locking points in zamak and galvanized steel. Complete with: counterplates in galvanized steel, 1085 mm bar in painted aluminium complete with black nylon gasket for aesthetical reasons, 1 floor-mounted keeper in stainless steel, 1 black nylon insert, 1 upper rod and 1 lower rod in aluminium, 1 rod cover 1395 mm and 1 rod cover 1037 mm in painted aluminium, 2 adjustable plugs in black galvanized zamak, 1 keeper + 3 spacers in painted zamak, 6 countersunk screws Ø 3.9x13 in white galvanized steel, 8 countersunk screws Ø 4.2x13, 2 socket head screws Ø 4.2x19, 4 socket head screws Ø 4.2x9.5, 18 countersunk screws M4x5 and 2 countersunk screws M4x16 in black galvanized steel, 4 grub screws M6x8 in white galvanized steel, 1 grub screw fitting jig in black nylon. <i>For doors with a clear width of 800 to 1240 mm and a max. height of 2450 mm.</i>	1	3001, 6029



Art.	Description	Pcs.	*Finishes
6100.3/1085	(patented) Vertical rod non-handed panic bar with 3 locking points in zamak and galvanized steel. Complete with: latch bolt in nickel plated zamak, counterplates in white galvanized steel complete with black nylon gasket for aesthetical reasons, 1085 mm bar in painted aluminium, 1 upper rod + 1 lower rod in aluminium, 1 rod cover 1395 mm and 1 rod cover 1037 mm in painted aluminium, 2 adjustable plugs in black galvanized zamak, 3 keepers + 9 spacers in painted zamak, 10 countersunk screws Ø 3.9x13 in white galvanized steel, 8 countersunk screws Ø 4.2x13, 6 socket head screws Ø 4.2x19, 24 countersunk screws M4x5 and 2 countersunk screws M4x16 in black galvanized steel, 4 grub screws M6x8 in white galvanized steel, 1 grub screw fitting jig in black nylon. <i>For doors with a clear width of 800 to 1240 mm and a max. height of 2450 mm.</i>	1	3001, 6029

*Finishes of articles 6100.1/2/3 refer to bar colour only. All other components are with RAL 9005 finish.

Key to finishes

XSD = satin steel	6029 = green RAL powder coated	9006 = silver RAL liquid varnish
3001 = red RAL powder coated	9005 = black RAL powder coated	9010 = white RAL powder coated

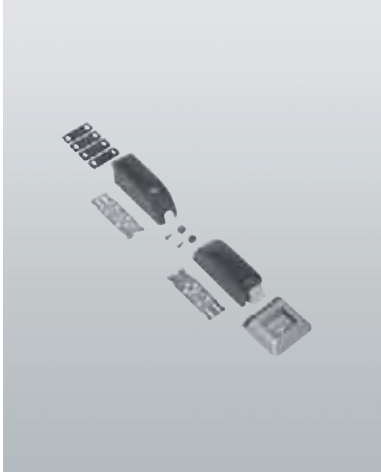


Modular items

	<p>Art. 6100.701</p>	<p>Description (patented) Kit with horizontal non-handed supports, one locking point in painted zamak and galvanised steel.</p> <p>Including: latch bolt in nickel plated zamak, counterplates in white galvanised steel, 1 keeper + 3 spacers in painted zamak, 8 countersunk screws Ø 4.2x13, 2 socket head screws Ø 4.2x19, 12 countersunk screws M4x5 and 2 countersunk screws M4x16 in black galvanised steel, 4 grub screws M6x8 in white galvanised steel, 1 grub screw fitting jig in black nylon (for finishes 9006/9010: 8 countersunk screws M4x5 in black galvanised steel, 4 countersunk screws M4x6 and 2 countersunk screws M4x16 in stainless steel).</p>	<p>Pcs.. 1</p>	<p>Finishes 9005, 9006, 9010</p>
	<p>Art. 6100.702</p>	<p>Description (patented) Kit with vertical non-handed supports, two locking points in painted zamak and galvanised steel.</p> <p>Including: white galvanised steel counterplates, 8 countersunk screws Ø.4.2x13, 12 countersunk screws M4x5, 2 countersunk screws M4x16 in black galvanised steel, 4 grub screws M6x8 in white galvanised steel, 1 grub screw fitting jig in black nylon (for finishes 9006/9010: 8 countersunk screws M4x5 in black galvanised steel, 4 countersunk screws M4x6 and 2 countersunk screws M4x16 in stainless steel).</p>	<p>Pcs.. 1</p>	<p>Finishes 9005, 9006, 9010</p>
	<p>Art. 6100.703</p>	<p>Description (patented) Kit with non-handed supports, three locking points in painted zamak and galvanised steel.</p> <p>Including: latch bolt in nickel plated zamak, counterplates in white galvanised steel, 1 keeper + 3 spacers in painted zamak, 8 countersunk screws Ø 4.2x13 2 socket head screws Ø 4.2x19, 12 countersunk screws M4x5 and 2 countersunk screws M4x16 in black galvanised steel, 4 grub screws M6x8 in white galvanised steel, 1 grub screw fitting jig in black nylon (for finishes 9006/9010: 8 countersunk screws M4x5 in galvanised steel, 4 countersunk screws M4x6 and 2 countersunk screws M4x16 in stainless steel).</p>	<p>Pcs.. 1</p>	<p>Finishes 9005, 9006, 9010</p>
	<p>Art. 6100.B/745</p> <p>6100.B/1085</p> <p>6100.B/1385</p>	<p>Description Horizontal 745 mm bar in painted or anodized aluminium, complete with black nylon gasket for aesthetical reasons. <i>For doors with leaf from 800 to 900 mm.</i></p> <p>Horizontal 1085 mm bar in painted or anodized aluminium, complete with black nylon gasket for aesthetical reasons. <i>For doors with leaf from 800 to 1240 mm.</i></p> <p>Horizontal 1385 mm bar in painted or anodized aluminium, complete with black nylon gasket for aesthetical reasons. <i>For doors with leaf from 800 to 1540 mm.</i></p>	<p>Pcs.. 1</p> <p>1</p> <p>1</p>	<p>Finishes 3001, 6029, XSD</p> <p>3001, 6029, XSD</p> <p>3001, 6029, XSD</p>
	<p>Art. 6000.720</p>	<p>Description Standard vertical rods: 1 upper rod in aluminium + 1 lower rod in aluminium + 1 rod cover 1037 mm in painted aluminium + 1 rod cover 1395 mm in painted aluminium. <i>For doors up to 2450 mm high.</i></p>	<p>Pcs.. 1</p>	<p>Finishes 9005, 9006, 9010</p>
	<p>Art. 6000.721</p>	<p>Description Vertical rods: 1 upper rod in aluminium + 1 lower rod in aluminium + 1 rod cover 1037 mm in painted aluminium + 1 rod cover 2045 mm in painted aluminium + 1 adjustable plug in galvanised zamak + 1 countersunk screw Ø 3.9x13 in galvanised steel. <i>For doors from 2450 mm to 3100 mm high.</i></p>	<p>Pcs.. 1</p>	<p>Finishes 9005, 9006, 9010</p>


Key to finishes

XSD = satin steel	6029 = green RAL powder coated	9006 = silver RAL liquid varnish
3001 = red RAL powder coated	9005 = black RAL powder coated	9010 = white RAL powder coated

Modular items

Art.	Description	Pcs.	Finishes
 <p>6000.730</p>	<p>(patented) Kit with top / bottom latch bolts in painted zamak and galvanised steel, nickel plated latch bolt.</p> <p>Including: counterplates in galvanised steel, 1 floor-mounted keeper in stainless steel + 1 black nylon insert, 2 adjustable plugs in galvanised zamak, 1 keeper + 3 spacers in painted zamak, 6 countersunk screws Ø 3.9x13 in white galvanised steel, 4 socket head screws Ø 4.2x9.5 in galvanised steel, 2 socket head screws Ø 4.2x19 in galvanised steel, 6 countersunk screws M4x5 in white galvanised steel (for finishes 9006/9010: 4 countersunk screws M4x5 in black galvanised steel + 2 countersunk screws M4x6 in stainless steel).</p>	1	9005, 9006, 9010
 <p>6000.735</p>	<p>(patented) Kit with top /side latch bolts in painted zamak and galvanised steel, nickel plated latch bolt.</p> <p>Including: counterplates in galvanised steel, 2 adjustable plugs in galvanised zamak, 2 keepers + 6 spacers in painted zamak, 8 countersunk screws Ø 3.9x13 in white galvanised steel, 2 socket head screws Ø 4.2x9.5 in galvanised steel, 4 socket head screws Ø 4.2x19 in galvanised steel, 9 countersunk screws M4x5 in white galvanised steel (for finishes 9006/9010: 6 countersunk screws M4x5 in black galvanised steel + 3 countersunk screws M4x6 in stainless steel).</p>	1	9005, 9006, 9010
 <p>6000.740</p>	<p>(patented) Kit with side latch bolts in painted zamak and galvanised steel, nickel plated latch bolt.</p> <p>Including: counterplates in galvanised steel, 2 keepers + 6 spacers in painted zamak, 2 adjustable plugs in galvanised zamak, 10 countersunk screws Ø 3.9x13 in galvanised steel, 4 socket head screws Ø 4.2x19 in galvanised steel, 12 countersunk screws M4x5 in black galvanised steel (for finishes 9006/9010: 8 countersunk screws M4x5 in galvanised steel + 4 countersunk screws M4x6 in stainless steel).</p>	1	9005, 9006, 9010



Outside access devices

Art.	Description	Pcs.	Finishes
 <p>6000.870</p>	<p>Outside access device, handle only, in painted zamak and galvanised steel, painted die-cast aluminium grip, square spindle in galvanised steel, 1 hex socket head cap screw M5x30 in white galvanised steel + 2 countersunk screws M5x80 in black galvanised steel.</p>	1	9005, 9006, 9010


Key to finishes

XSD = satin steel	6029 = green RAL powder coated	9006 = silver RAL liquid varnish
3001 = red RAL powder coated	9005 = black RAL powder coated	9010 = white RAL powder coated

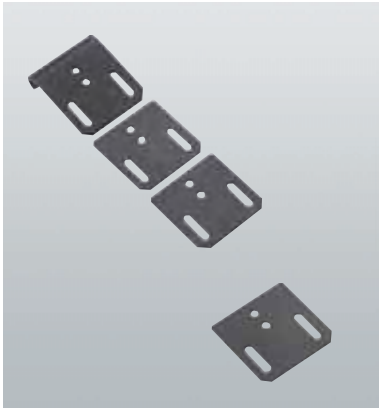

Outside access devices

	Art.	Description	Pz.	Finishes
	6000.873	External access device, idle handle, in painted zamak and galvanized steel, handle grip in zamak, european-shaped cylinder on grip, with different key combinations , 3 nickel plated keys, squared spindle in white galvanized steel, 2 countersunk head screw M5x80 in galvanized steel.	1	9005, 9006, 9010
	6000.874	Like 6000.873 but with european-shaped cylinder on grip with single key combination .	1	9005, 9006, 9010
	6000.875	External access device, idle handle, in painted zamak and galvanized steel, painted die-cast aluminium grip, European profile cylinder with different key combinations + 3 nickel plated keys, square spindle in white galvanized steel, 1 socket head cap screw M5x30 in white galvanized steel + 2 countersunk head screws M5x80 in black galvanized steel. With "cylinder unlocked key retention device".	1	9005, 9006, 9010
	6000.876	Like 6000.875 but without cylinder.	1	9005, 9006, 9010
	6000.877	Like 6000.875 but with European profile cylinder with single key combination.	1	9005, 9006, 9010

*The "cylinder unlocked key retention device" prevents extraction of the key with the cylinder released.
The cylinder must therefore be engaged before the key can be removed.*

	Art.	Description	Pz.	Finishes
	6000.880	Outside access device in painted zamak and galvanized steel, fixed handle with knob, European profile cylinder with different key combinations + 3 nickel plated keys, square spindle in galvanized steel, 2 countersunk head screws M5x80 in black galvanized steel. Preferably for use with the 1 locking point version.	1	9005, 9006, 9010

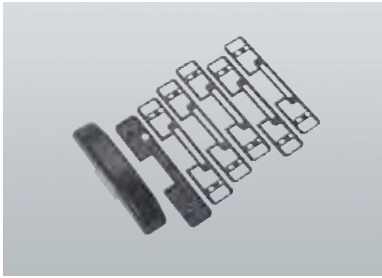




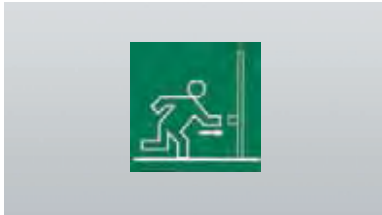
Supplementary items

	Art.	Description	Pz.	Finishes
	6000.802	Kit of keepers for horizontal or side latching device, for PVC (20 mm rabbet and more) and wood. Complete with: 1 keepers and 2 spacers in painted steel.	5	
	6000.803	Like 6000.802 but with rabbet less than 20 mm.	5	
	6000.804	Kit of keepers for vertical latching device, for PVC (20 mm rabbet and more) and wood. Complete with: 1 keepers and 2 spacers in painted steel.	5	9005, 9006, 9010
	6000.805	Like 6000.804 but with rabbet less than 20 mm.	5	
	6000.806	1.5 mm spacer in painted steel.	40	
	6000.810	Supplementary lateral locking device in painted zamak and galvanized steel, latch bolt in nickel plated zamak, 1 keeper + 3 spacers in painted zamak, counterplate and 4 countersunk head screws Ø 3.9x13 in white galvanized steel, 2 cap screws Ø 4.2x19 and 6 countersunk head screws M4x5 in black galvanized steel (finishes 9006/9010: 4 countersunk head screws M4x5 in black galvanized steel + 2 countersunk head screws M4x6 in stainless steel). For the correct application, see fitting instructions inserted into single article packaging.	1	9005, 9006, 9010

Key to finishes

XSD = satin steel	6029 = green RAL powder coated	9006 = silver RAL liquid varnish
3001 = red RAL powder coated	9005 = black RAL powder coated	9010 = white RAL powder coated

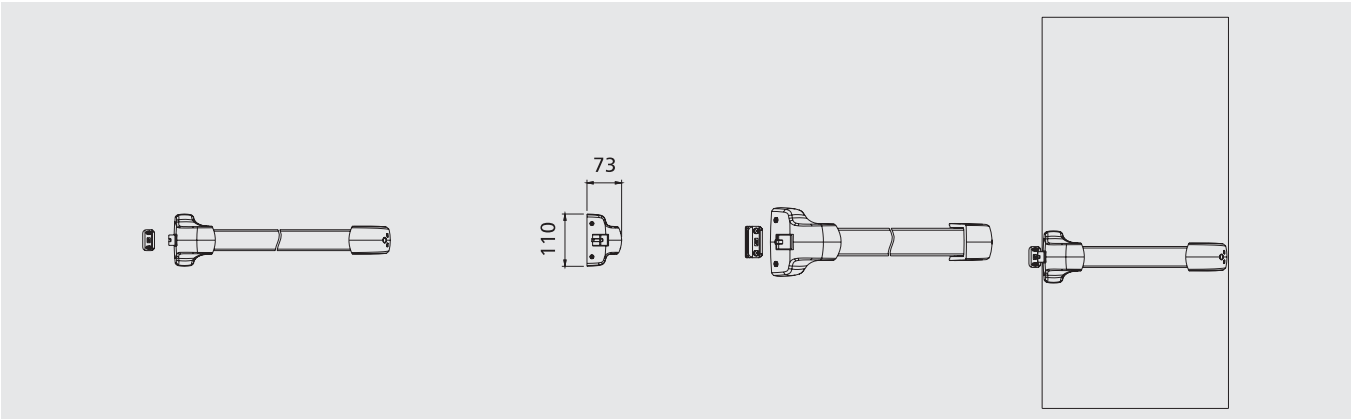
Supplementary items

Art.	Description	Pcs.	Finishes
	6000.820 Electric strike with cover in painted zamak, bottom plate in galvanised steel, 4 cap screws Ø 3.9x25 in white galvanised steel, black nylon spacers. <i>For the correct application, see fitting instructions inserted into single article packaging.</i>	1	9005, 9006, 9010
	6100.830 Dogging mechanism in black nylon, 1 cap screw Ø 4.2x13 in white galvanised steel.	1x5	
	6100.840 "T" shaped cover secondary support in painted zamak.	1	9005, 9006, 9010
	6000.842 1 Microswitch + 1 black nylon support + 1 cap screw Ø 2.2x13 + 1 BZ scap screw Ø 3.9x9.5 in black galvanised steel.	1x5	
	6000.843 Adjustable through-guides in galvanised zamak + 1 countersunk head screws Ø 3.9x13 in black galvanised steel.	20	
	6100.890 CELLINI exit sign plate.	10	

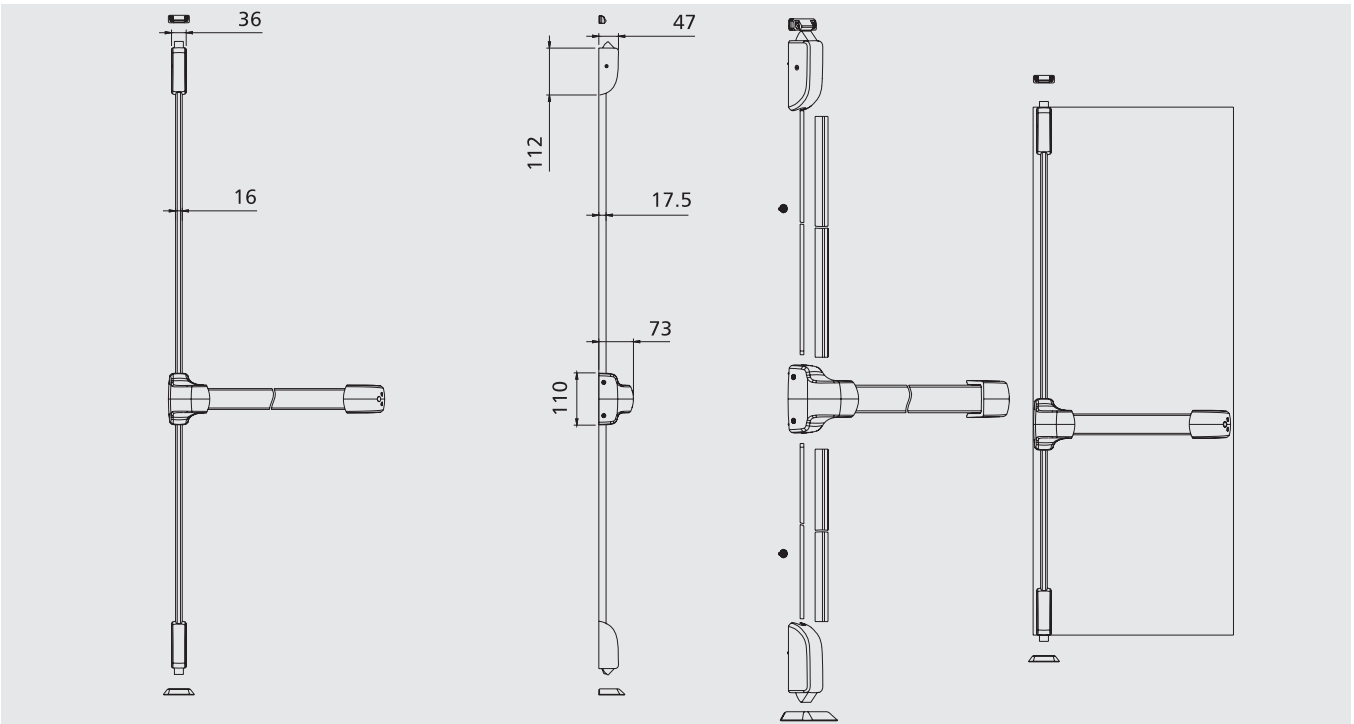
Key to finishes

XSD = satin steel	6029 = green RAL powder coated	9006 = silver RAL liquid varnish
3001 = red RAL powder coated	9005 = black RAL powder coated	9010 = white RAL powder coated

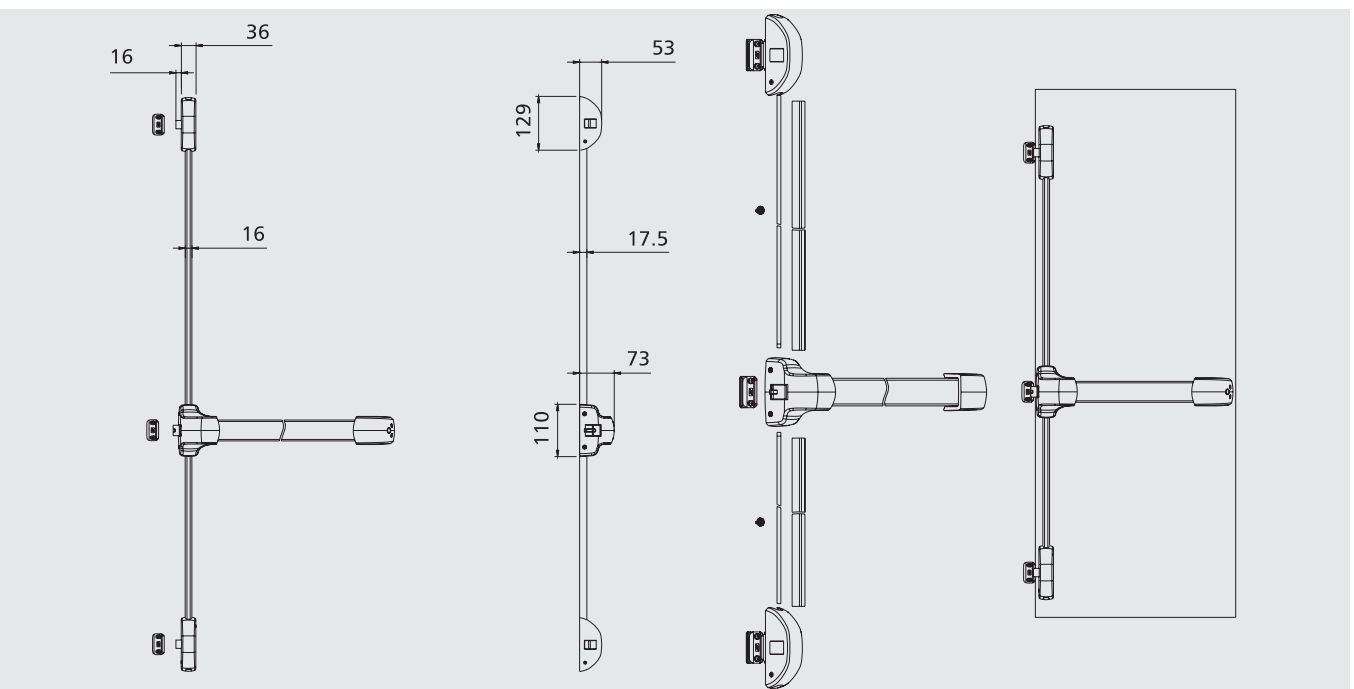
6100.1/1085



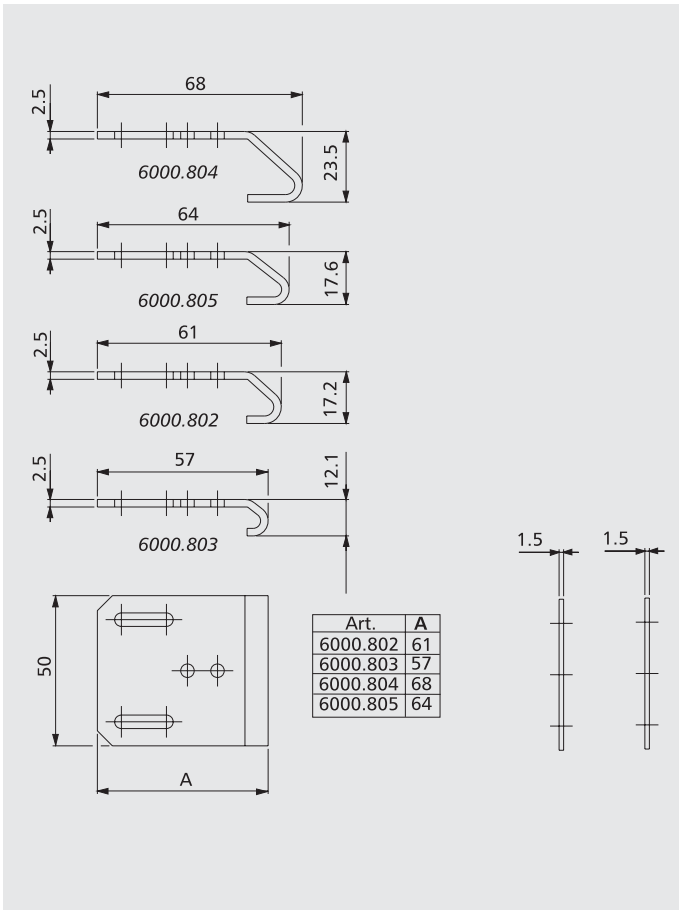
6100.2/1085



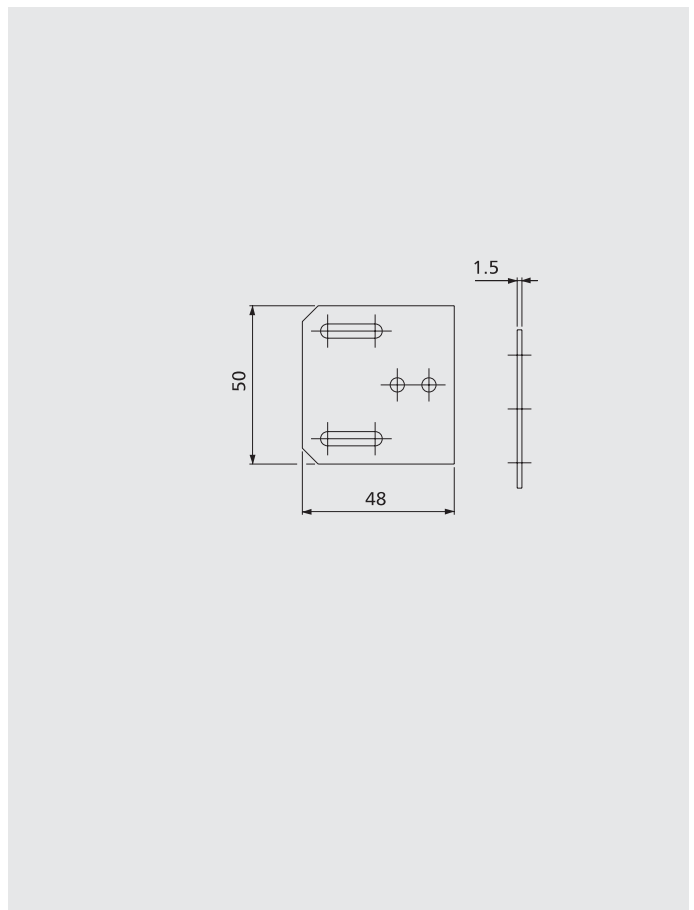
6100.3/1085



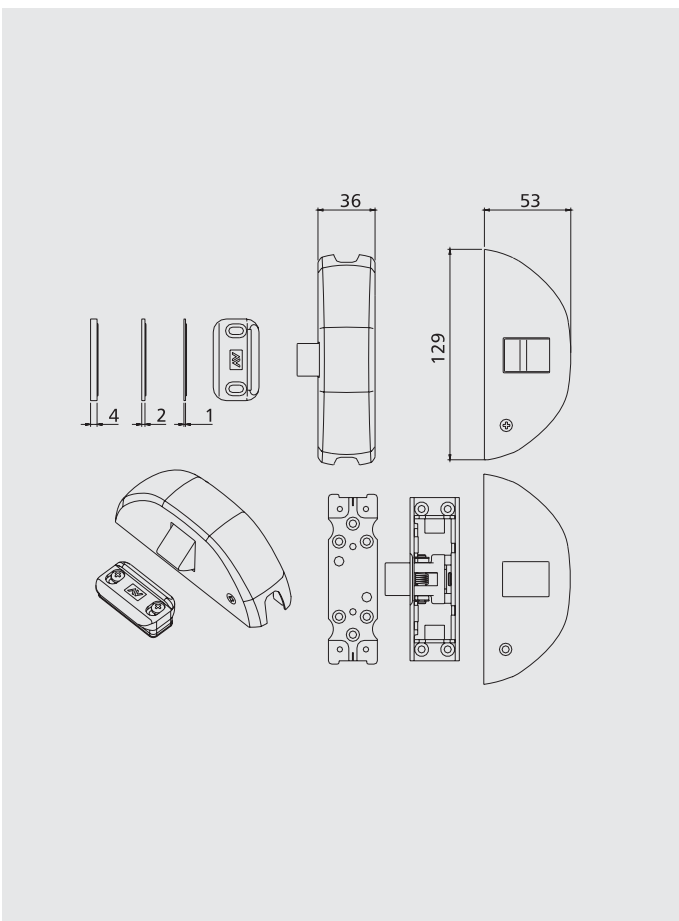
6000.802/.803/.804/.805



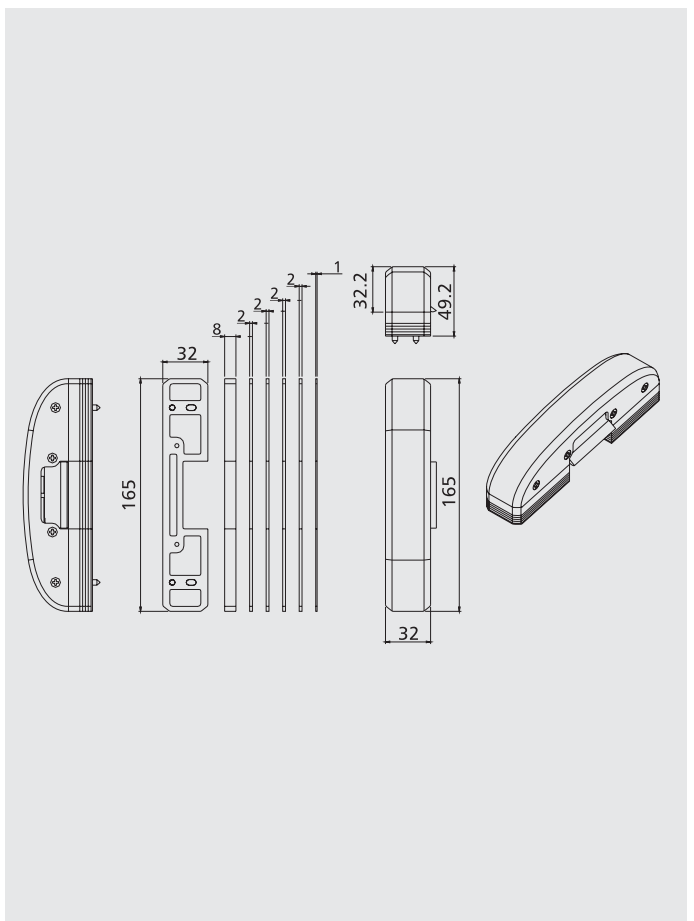
6000.806



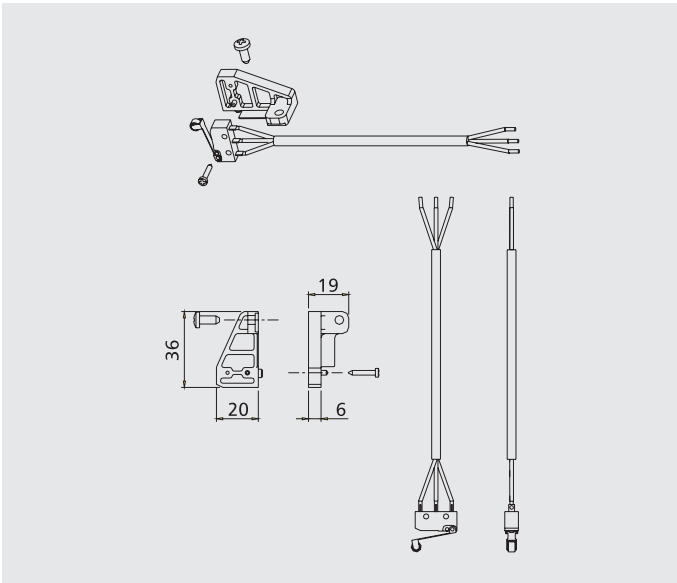
6000.810



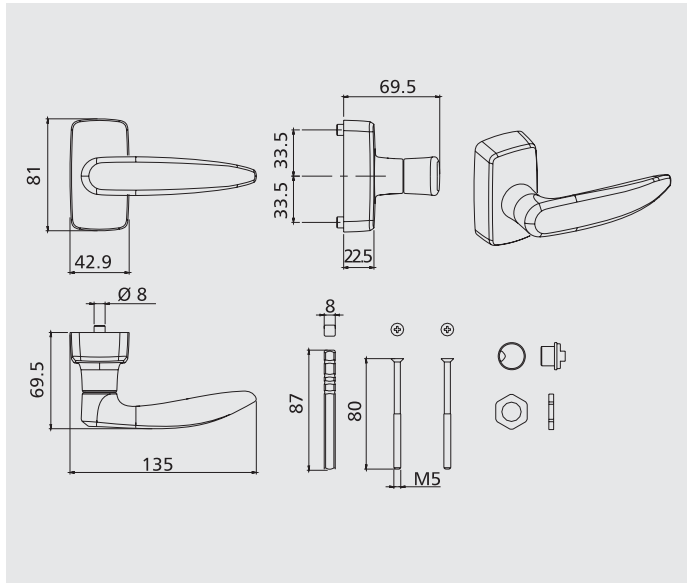
6000.820



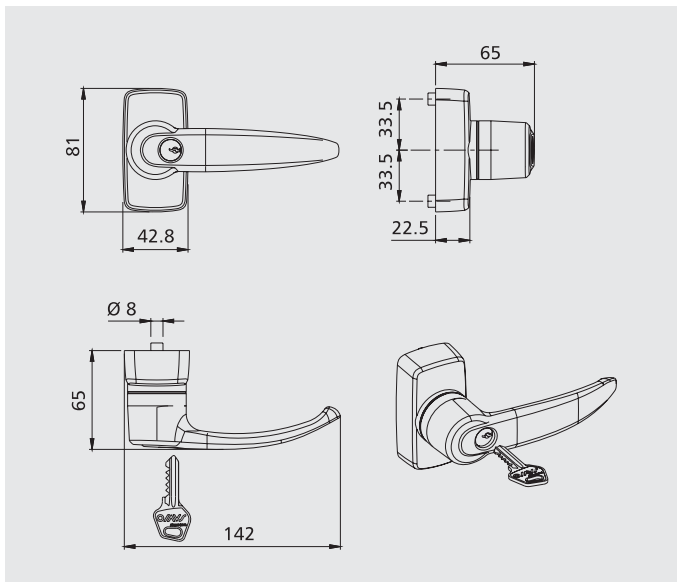
6000.842



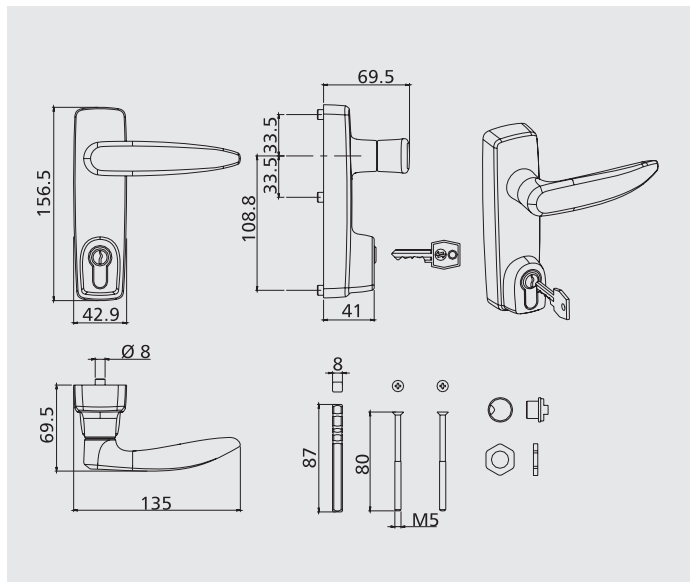
6000.870



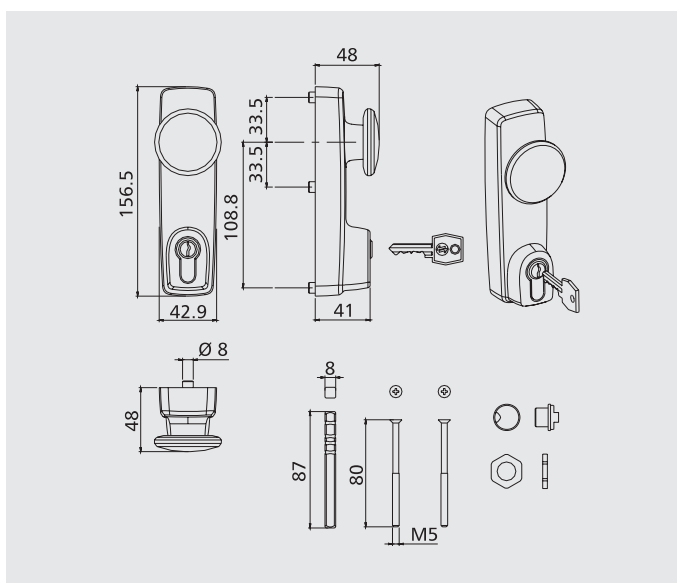
6000.873/.874



6000.875/.876/.877

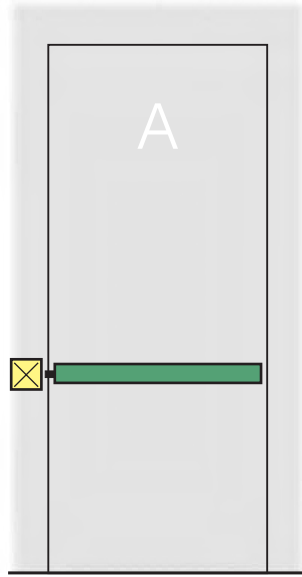


6000.880



Touch-bar type devices

Certified application schemes for single door



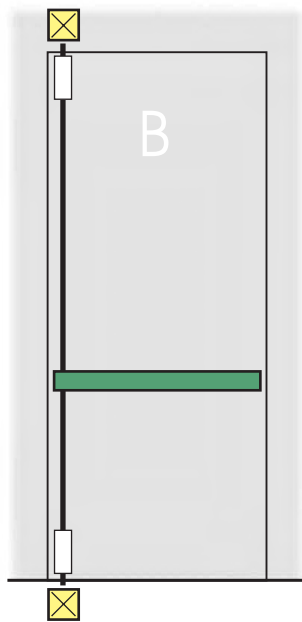
Application A:

CELLINI

6100.1/1085

6100.701+6100.B

6100.703+6100.B



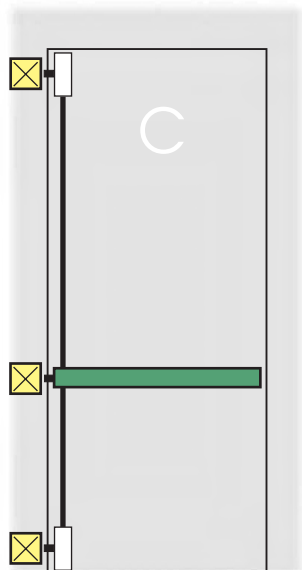
Application B:

CELLINI

6100.2/1085

6100.702+6100.B+6000.720/.721+6000.730

6100.703+6100.B+6000.720/.721+6000.730



Application C:

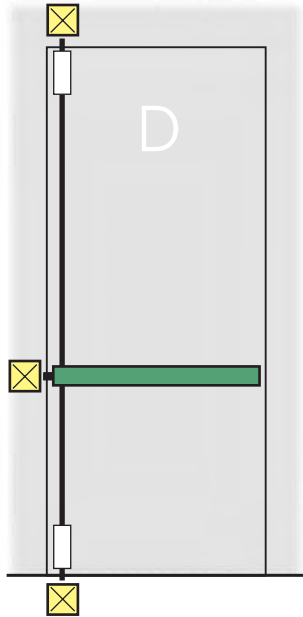
CELLINI

6100.3/1085

6100.703+6100.B+6000.720/.721+6000.740

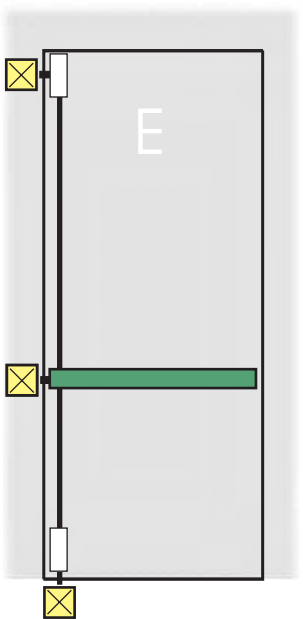
Legend:

CELLINI alternative configurations



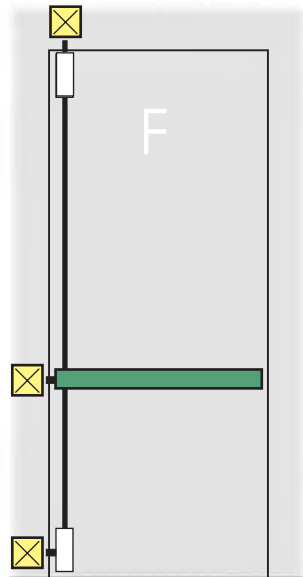
Application D:
CELLINI

6100.703+6100.B+6000.720/.721+6000.730



Application E:
CELLINI

6100.703+6100.B+6000.720/.721+6000.730+.740

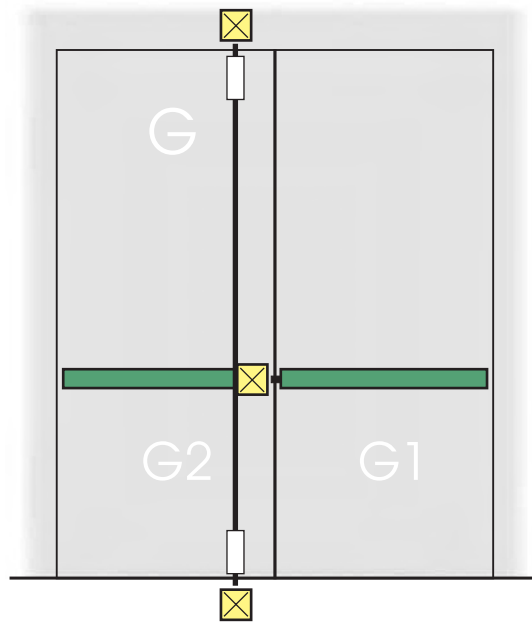


Application F:
CELLINI

6100.703+6100.B+6000.720/.721+6000.735

Touch-bar type devices

Certified application schemes for double door



Application G:

G1 CELLINI

6100.1/1085

6100.701+6100.B

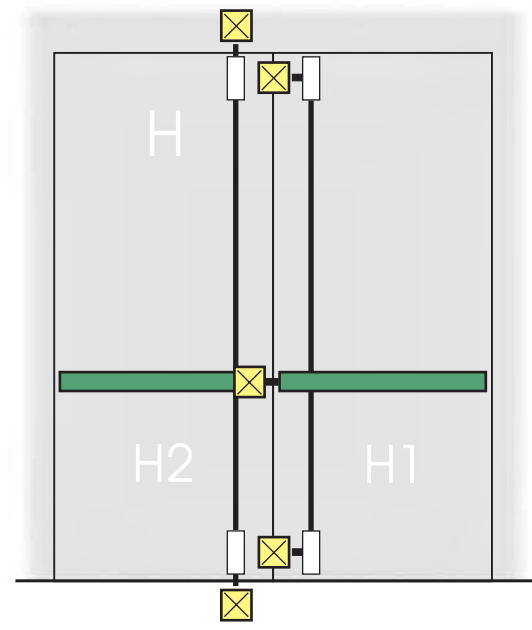
6100.703+6100.B

G2 CELLINI

6100.2/1085

6100.702+6100.B+6000.720/.721+6000.730

6100.703+6100.B+6000.720/.721+6000.730



Application H:

H1 CELLINI

6100.3/1085

6100.703+6100.B+6000.720/.721+6000.740

H2 CELLINI

6100.2/1085

6100.702+6100.B+6000.720/.721+6000.730

6100.703+6100.B+6000.720/.721+6000.730

Enter the world of SAVIO :
www.savio.it

Look for the quality of SAVIO's CELLINI panic bars by Pininfarina and the full range of SAVIO products on the group's site.

Discover the advantages offered by a company portal, constantly evolving to offer market operators new services .

As well as company information and the product news, you will find a series of free services aimed at the professional sector.

Just register and fill in the provided form on line.

Every day, around the clock, you will be able to :

- *consult all technical documentation (catalogues, brochures, assembly instructions, etc.) and download it in PDF format;*
- *consult new SAVIO videocatalogue 2004;*
- *use the "Savio Web Assistance" service;*
 - *be constantly updated on all new developments on the site via e-mail;*
 - *be the first to know about promotional offers.*



*It's easy to stay up-to-date with
www.savio.it, all it takes is a click!*





- DIN EN ISO 14001
- Certified Management System
- DIN EN ISO 9001

Savio S.p.A. Via Torino, 25 (S.S. 25)
10050 Chiusa S. Michele (TO) Italy
Tel.+39.011.964.34.64 - Fax+39.011.964.34.74
www.savio.it - e-mail: export@savio.it

NSAVIO
*Quality and innovation
for closing systems*