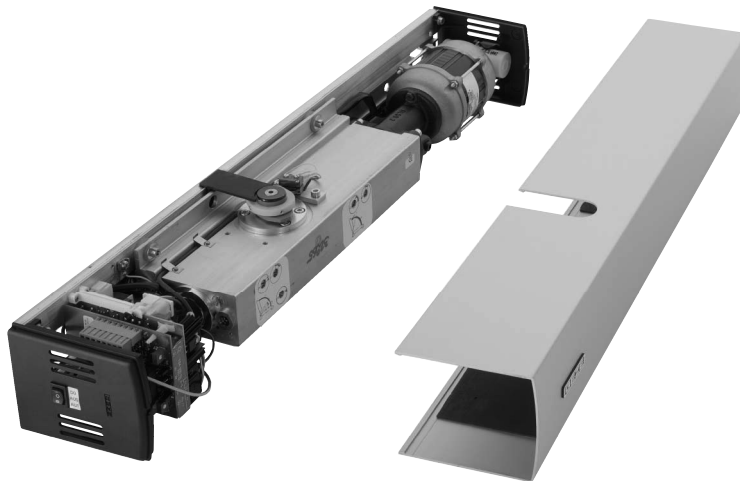


Technical Features



- Max. leafwidth: 1400 mm
- EN size: EN 3 to EN 6 (DIN size 2 ... 5)
- Max. leafweight: 250 kg
- Dimensions: Length 690 mm
Height 100 mm (without spindle and lever)
Depth 120 mm (mounting plate plus 8 mm)
- Closed position of door: Closing pressure by spring action
- Power supply: 230 V AC, +10%/-14%, 50/60 Hz
- Power consumption: 200 VA with 230 V AC
- The motor is switched off as soon as the preset open position of the door is reached or upon lapse of the preset motor running time.
- Motor temperature control by integrated thermoswitch.
- Power failure manual door closer function
hydraulically controlled closing
- Integrated programme position II = automatic function
position I = permanently open
position 0 = off
- Supply voltage for peripheral appliances: 24 V DC, 800 mA
- Weight of drive: ca. 13 kg